

Jump beta

SPARE PARTS LIST



[SORG Rollstuhltechnik](#)

Revision: 09.09.2024 10:54:27

Dear customer,

in the following pages you will find a complete spare part list with all parts used to build our wheelchairs.

To ensure a accurate delivery of spare parts it is vital to provide the following information from the identification label in addition to the Article-Number (Art.-No.).

To find the identification label on the chair please look up the following link for the exact location:

http://www.sorgrollstuhltechnik.de/fileadmin/user_upload/pdf/Download/Finding_identification_label.pdf

1. Serial number of the chair

The serial number enables us to identify the configuration of delivery of the specific chair in.

2. Seat width, seat depth and back height

The measures on the identification label are specified for the delivery configuration. If you changed any of these measures after delivery e.g. by growing the chair, please specify the actual new measures.

3. Lower leg length

We need the LLL to decide for the right version of several attachments which are connected to the LLL.

4. Frame colour

Please indicate the frame colour of the chair when ordering a powder coated spare part. Please note also if the finish alternative is shiny or matt.

5. Any other change after delivery (e.g. attachments)

We cannot know about changes after delivery. If you are not sure if such a change has any influence on the needed spare parts, please give us some details about it.

List of abbreviations

Pcs.	piece number
item no	item number to order specific spare part
Q/1	quantity per wheelchair/assembly group
SW	seat width
SD	seat depth
BH	back height
alt.	alternative
l/r	left/right

Handling annotations

Only items with item number are to order.

right / left are in relation to driving direction.

If you need further assistance, please contact us:

SORG Rollstuhltechnik GmbH & Co.KG

Benzstraße 3-5

68794 Oberhausen-Rheinhausen

Fon +49 7254 - 9279 0

Fax +49 7254 - 9279 10

info@sorgrollstuhltechnik.de

<http://www.sorgrollstuhltechnik.de>

Opening times:

Monday - Friday 8.00 am - 4.30 pm

Technical alterations and misprints excluded.

Prices on demand.

Contents

Frame

Frame Sport	1
Frame DLS	3
Anti-tipper	5
Tipping aid	7
Crutch holder	8

Leg support

Leg support holder, swiveling and removable	9
Leg support holder, elevating	11
Calf rest	14
Leg support, undivided, hinged sideways, internal mounting	16
Leg support, undivided, hinged sideways, external mounting	18
Leg support undivided, hinged sideways, to swing-away, external mounting	22
Leg support, divided, hinged sideways, internal mounting	24
Leg support, divided, hinged sideways, external mounting	25
Heel cups	26
Calf belt	27

Seat

cross brace and seat cover	28
Seat fix and seat extension	30
Seat cushion	31
Abduction wedge	32
Therapy table, version 1, hinged sideways	33
Therapy table, version 2, fixed to the arm pad	34

Back

Back tube standard	35
Back, adjustable in angle	37
Back with gas pressure spring adjustment	40
stabilizer bar for standard push handles	41
stabilizer bar for extendable push handles	42
Push handles	43
Push bow handle	44
Back cover standard	45
Back cover adjustable	46
Curved back plate	47
Back extension	50
Cushion for curved back plate	51
Side truss pads from Back height 35cm	52
Head rest	55

Contents

Side part

Side guard standard	58
Arm pad for side guard standard	59
Clothes guard	60
Desk side guards	61
Clothes guard desk side guards	63
Arm pad for desk side guard	64
Side guard long	65
Arm pad for long side guard	67
Desk/long side guard, front socket	69
Raster arm pad	70
Side guard for gas pressure spring back	71
Desk side guard for gas pressure spring back	72
Long side guard for gas pressure spring back	73

Caster wheel

Caster wheel adapter	74
Adapter for low seat heights	76
Caster wheel fork	77
Caster wheels	78

Rear wheel

Axle plate standard	79
Axle plate drum brake	81
Wheel base lengthening	82
Rear wheels	84
Double handrims standard	85
Double handrims drum brake	87
Tyres	89
Handrims	90
Handrim covers	91
Spoke guards	92

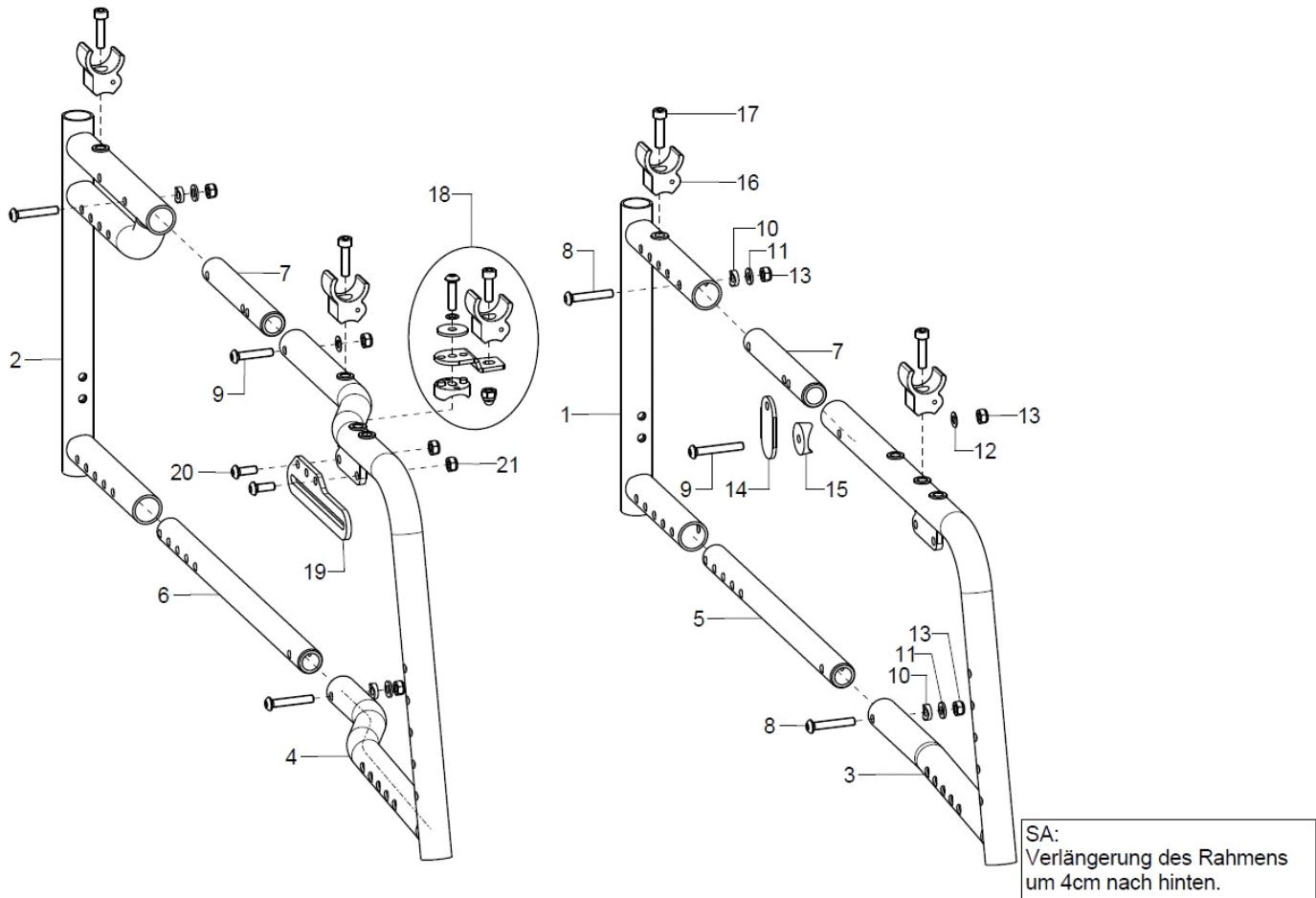
Brake

Knee lever brake	94
Bowden cable brake pressure piece	95
Bowden cable brake control/non-control sides	97
Brake lever for drum brake	98
Brake lever extension	99

Contents

<u>Options</u>	
Caddy	100
2-point Hip belt with Velcro and synthetic lock	101
2-point Hip belt with metal lock	102
4-point Hip belt with Velcro and synthetic lock	103
4-point Hip belt with metal lock	104
Butterfly harness	105
Sun shade	107

Frame Sport

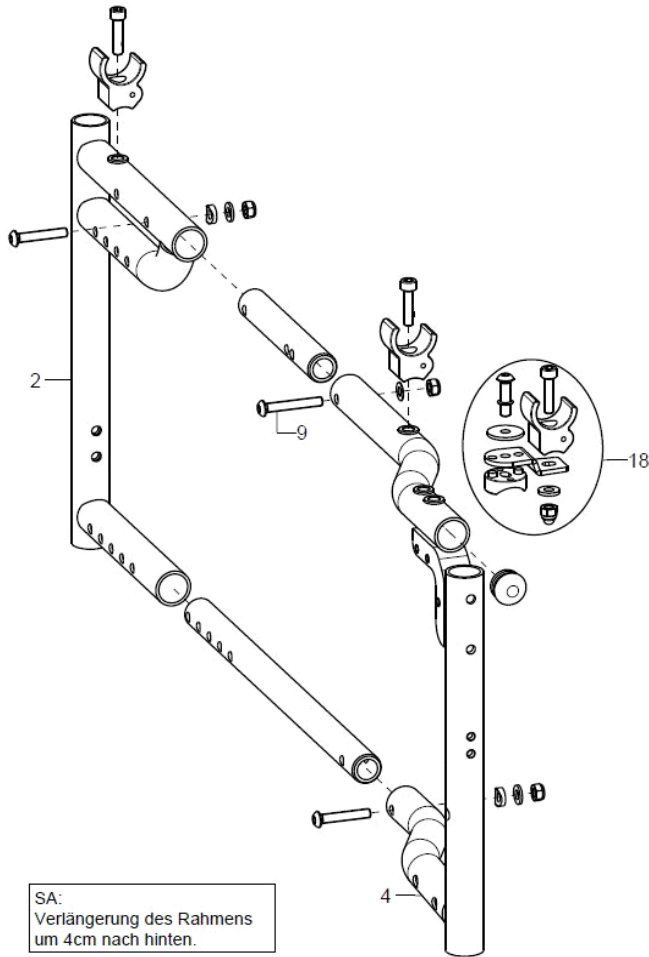


pcs.	Q/1	item no.	Product name:	Variant:	drawing no.
1	2	59751501			59.75.15.01.00.75
o.B.	2	59751502			59.75.21.01.00.75
2	2	59751701			59.75.17.01.00.75
o.B.	2	59751702			59.75.23.01.00.75
3	1	59750402			59.75.05.01.02.75
o.B.	1	59750401			59.75.05.01.01.75
o.B.	1	59750502			59.75.05.02.02.75
o.B.	1	59750501			59.75.05.02.01.75
o.B.	1	59750602			59.75.05.03.02.75
o.B.	1	59750601			59.75.05.03.01.75
4	1	59750102			59.75.01.01.02.75
o.B.	1	59750101			59.75.01.01.01.75
o.B.	1	59750202			59.75.01.02.02.75
o.B.	1	59750201			59.75.01.02.01.75
o.B.	1	59750302			59.75.01.03.02.75
o.B.	1	59750301			59.75.01.03.01.75
o.B.	1	59751102			
o.B.	1	59751101			
o.B.	1	59751104			
o.B.	1	59751103			
o.B.	1	59751002			
o.B.	1	59751001			
o.B.	1	59751004			

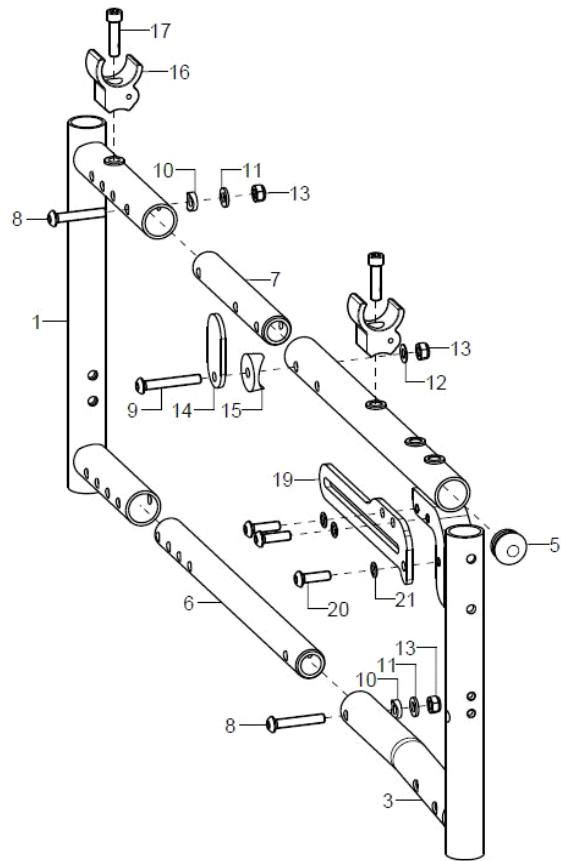


o.B.	1	59751003		
5	2	59751801		59.75.18.01.00.75
6	2	59751803		59.75.18.03.00.75
7	2	59751804		59.75.18.04.00.75
8-15	2	45250199		
8-13+16+17	2	46250199		
8	2		lens head screw with hexagon socket ISO 7380 - M6x35	01.42.08.59.65.00
9	1		lens head screw with hexagon socket ISO 7380 - M6x40	01.42.08.60.65.00
altern	1		lens head screw with hexagon socket ISO 7380 - M6x30	01.42.08.58.65.00
10	2		saddle washer $\varnothing 12/6 \times 2,5$	35.04.16.01.00.10
11	2		washer DIN 125 - A 6,4	02.61.06.41.41.20
12	1		fitted washer DIN 988 - 6x12x0,5 - A2	02.68.06.00.50.30
13	3		hexagon nut self-locking low form DIN 985 - M6	02.32.00.60.01.20
14	1	45250111		45.25.01.11.00.74
15	1		saddle washer black $\varnothing 24/6$	04.63.39.24.06.30
16-17	2	58260201	support frame incl. mounting screw	58.26.02.01.00.74
17	2		cylinder screw DIN 912 M6x25	01.22.08.56.02.41
18	1	58260202		
19-21	1	59752501	braking rail short incl. mounting set	59.75.25.01.00.00
o.B.	1	59752502	braking rail long incl. mounting set	59.75.25.02.00.00
o.B.	1	35007602		35.00.76.01.02.00
o.B.	1	35007601		35.00.76.01.01.00
20	2		lens head screw with hexagon socket ISO 7380 - M6x16	01.42.08.52.65.00
21	2		hexagon cap nut low form with clamp DIN 986 - M6	02.33.00.60.11.20
o.B.	1			58.26.07.23.00.74

Frame DLS



SA:
Verlängerung des Rahmens
um 4cm nach hinten.

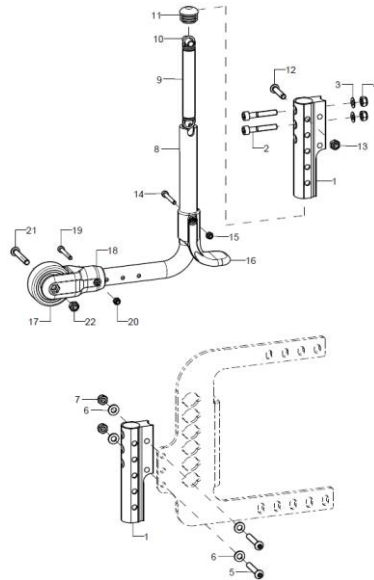


pcs.	Q/1	item no.	Product name:	Variant:	drawing no.
1	2	59751601			59.75.16.01.00.75
o.B.	2	59751501			59.75.15.01.00.75
o.B.	2	59751602			59.75.22.01.00.75
o.B.	2	59751502			59.75.21.01.00.75
2	2	59751701			59.75.17.01.00.75
o.B.	2	59751702			59.75.23.01.00.75
3+5	1	59750902			59.75.09.01.02.75
o.B.+5	1	59750901			59.75.09.01.01.75
o.B.+5	1	59750904			59.75.25.01.02.75
o.B.+5	1	59750903			59.75.25.01.01.75
o.B.+5	1	59750906			59.75.26.01.02.75
o.B.+5	1	59750905			59.75.26.01.01.75
4+5	1	59750802			59.75.08.01.02.75
o.B.+5	1	59750801			59.75.08.01.01.75
o.B.+5	1	59750804			59.75.27.01.02.75
o.B.+5	1	59750803			59.75.27.01.01.75
3+5	1	59751302			59.75.13.01.02.75
o.B.+5	1	59751301			59.75.13.01.01.75
o.B.+5	1	59751304			59.75.30.01.02.75
o.B.+5	1	59751303			59.75.30.01.02.75
o.B.+5	1	59751306			59.75.31.01.02.75
o.B.+5	1	59751305			59.75.31.01.01.75
4+5	1	59751202			59.75.12.01.02.75



o.B.+5	1	59751201		59.75.12.01.01.75
o.B.+5	1	59751204		59.75.32.01.00.75
o.B.+5	1	59751203		59.75.32.01.01.75
5	1		plugs for tube ø22x1-2, black	04.63.10.22.00.10
6	2	59751802		59.75.18.02.00.75
o.B.	2	59751803		59.75.18.03.00.75
7	2	59741202	joint tube top size 2/3	59.74.12.02.00.74
o.B.	2	59751804		59.75.18.04.00.75
8-15	2	45250199		
8-13	2	46250199		
8	2		lens head screw with hexagon socket ISO 7380 - M6x35	01.42.08.59.65.00
9	1		lens head screw with hexagon socket ISO 7380 - M6x40	01.42.08.60.65.00
altern.	1		lens head screw with hexagon socket ISO 7380 - M6x30	01.42.08.58.65.00
10	2		saddle washer ø12/6x2,5	35.04.16.01.00.10
11	2		washer DIN 125 - A 6,4	02.61.06.41.41.20
12	1		fitted washer DIN 988 - 6x12x0,5 - A2	02.68.06.00.50.30
13	3		hexagon nut self-locking low form DIN 985 - M6	02.32.00.60.01.20
14	1	45250111		45.25.01.11.00.74
15	1		saddle washer black ø 24/6	04.63.39.24.06.30
16+17	2	58260201	support frame incl. mounting screw	58.26.02.01.00.74
17	2		cylinder screw DIN 912 M6x25	01.22.08.56.02.41
18	1	58260202		
o.B.	1			58.26.07.23.00.74
19-21	2			35.25.11.01.00.75
o.B.	2			35.25.11.02.00.75
o.B.	2			35.25.11.03.00.75
20	3		lens head screw with hexagon socket ISO 7380 - M6x20	01.42.08.54.05.00
21	3		lock washer S6	02.99.10.60.01.10

Anti-tipper

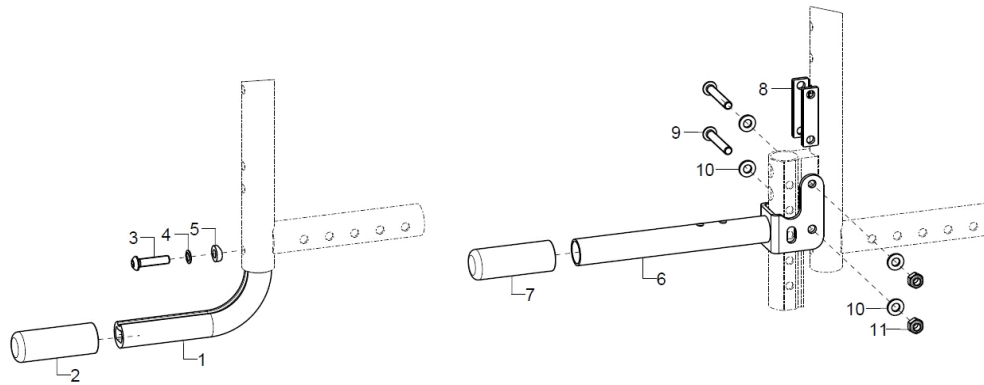


pcs.	Q/1	item no.	Product name:	Variant:	drawing no.
1+2- 4+8-22	1	721501	anti-tipper compl., pos. 1 + mounting set A+ anti-tipper bail premounted for 20/22" size driving wheel		72.15.01.02.00.74
1+2- 4+8-22	1	721502	anti-tipper compl., pos. 1 + mounting set A+ anti-tipper bail premounted for 24" size driving wheel		72.15.01.03.00.74
1+2- 4+8-22	1	721503			
1+5-22	1	721505	anti-tipper for wheel base extension, complete pos. 1 + mounting set B + anti-tipper bail premounted for 20/22" size driving wheel		
1+5-22	1	721506	anti-tipper for wheel base extension, complete pos. 1 + mounting set B + anti-tipper bail premounted for 24" size driving wheel		
1+5-22	1	721507			
1	1	72150106	anti-tipper holder		72.15.01.06.00.74
2-4	1	7215010699	mounting set anti-tipper holder		XXXXXXXXXXXX
2	2		cylinder screw DIN 912 M6x35		01.22.08.59.62.40
3	3		fitted washer DIN 988 - 6x12x0,5 - A2		02.68.06.00.50.30
4	3		hexagon nut self-locking low form DIN 985 - M6		02.32.00.60.01.20
5-7	1	7215020699	mounting set anti-tipper holder wheel base extension		
5	2		lens head screw with hexagon socket ISO 7380 - M6x35		01.42.08.59.65.00
6	4		washer DIN 125 - A 6,4		02.61.06.41.41.20
7	2		hexagon nut self-locking low form DIN 985 - M6		02.32.00.60.01.20
8-17	1	72150001	anti-tipper bail premounted for 20/22" size driving wheels		72.15.01.99.00.74
8-17	1	72150002	anti-tipper bail premounted for 24" size driving wheels		
8-17	1	72150003			
8	1		anti-tipper bail		72.15.01.XX.00.74
9-15	1	72150107	tension spring, loop 180°, 1/1 centred, 13,5x2x113		04.22.01.41.13.00
10	1		spacer bushing 18,4 mm		45.03.10.00.00.73
11	1		plugs for tube ø22x1-2, black		04.63.10.22.00.10
12	1		lens head screw with hexagon socket ISO 7380 - M6x30		01.42.08.58.65.00
13	1		hexagon nut self-locking low form DIN 985 - M6		02.32.00.60.01.20
14	1		cylinder screw DIN 912 M4x30		01.22.07.38.62.40
15	1				02.33.00.40.01.20
16	1	72150104	tipping lever black		72.15.01.04.00.74
17+21- 22	1	720004	wheel ø50, width 18, nob width 20, axle ø 6, PU grey		04.52.42.50.00.30



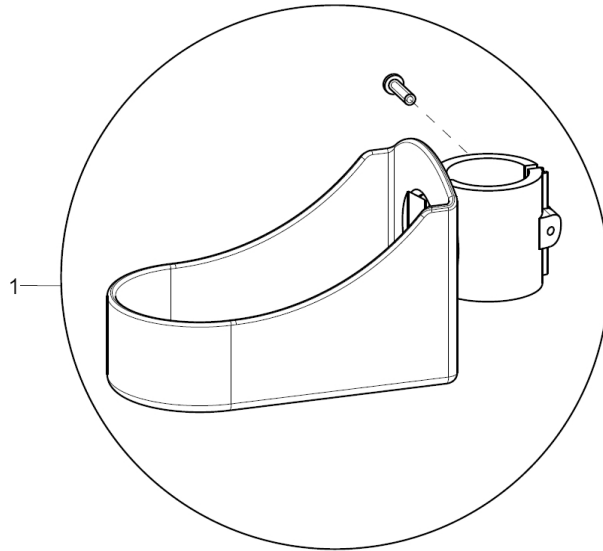
18+19- 20	1	72150101	holder anti-tipper for wheel ø50 mm, incl. mounting set	72.15.01.01.00.74
19	1		cylinder screw DIN 912 M4x30	01.22.07.38.62.40
20	1			02.33.00.40.01.20
21	1		lens head screw with hexagon socket ISO 7380 - M6x40	01.42.08.60.65.00
22	1		hexagon cap nut low form with clamp DIN 986 - M6	02.33.00.60.11.20

Tipping aid



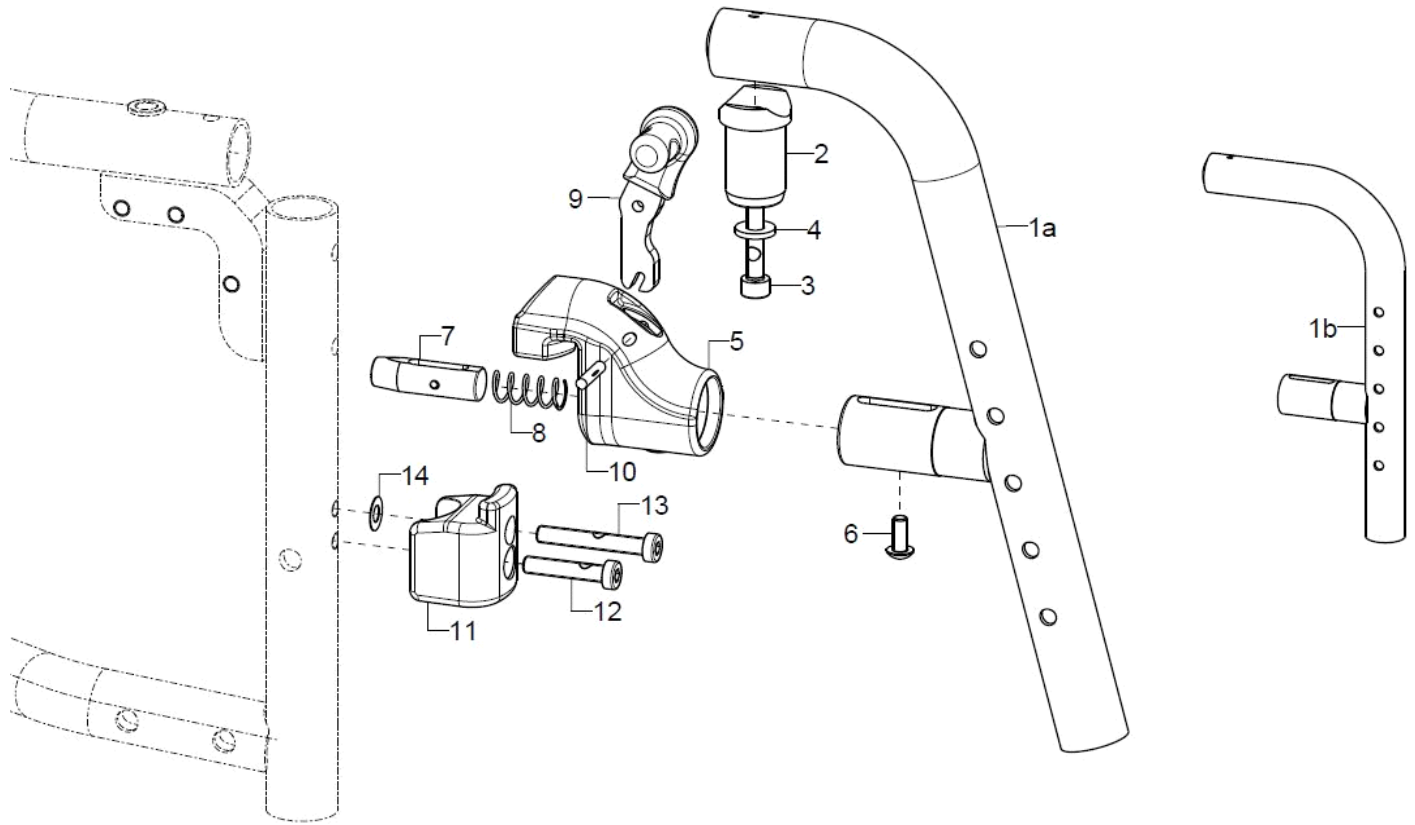
pcs.	Q/1	item no.	Product name:	Variant:	drawing no.
1-5	1	7401	tipping lever complete		
1	1				74.01.01.01.00.10
2	1	740102	covered cap		74.01.02.01.00.10
3-5	1	74000099	mounting set for tipping lever		
3	1		lens head screw with hexagon socket ISO 7380 - M6x25		01.42.08.56.65.00
4	1		lock washer S6		02.99.10.60.01.10
5	1		saddle washer $\varnothing 12/6 \times 2,5$		35.04.16.01.00.10
6-11	1	7404			74.04.02.00.00.74
7	1	740102	covered cap		74.01.02.01.00.10
8	2				74.04.02.03.00.74
9	2		lens head screw with hexagon socket ISO 7380 - M6x40		01.42.08.60.65.00
10	4		washer DIN 125 - A 6,4		02.61.06.41.41.20
11	2		hexagon nut self-locking low form DIN 985 - M6		02.32.00.60.01.20

Crutch holder



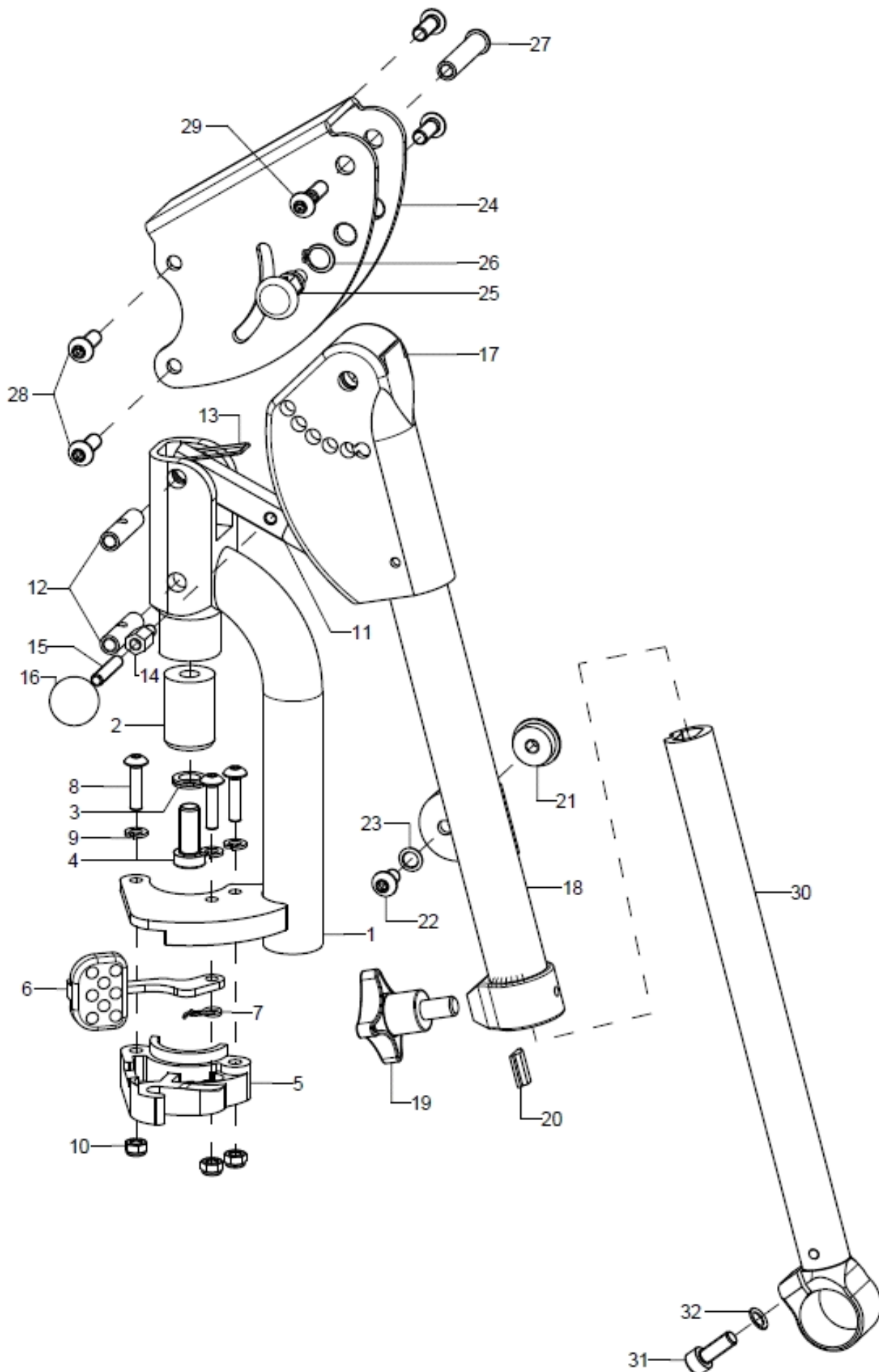
pcs.	Q/1	item no.	Product name:	Variant:	drawing no.
1	1	7101	crutch holder with mounting screw		71.01.01.00.00.10

Leg support holder, swiveling and removable



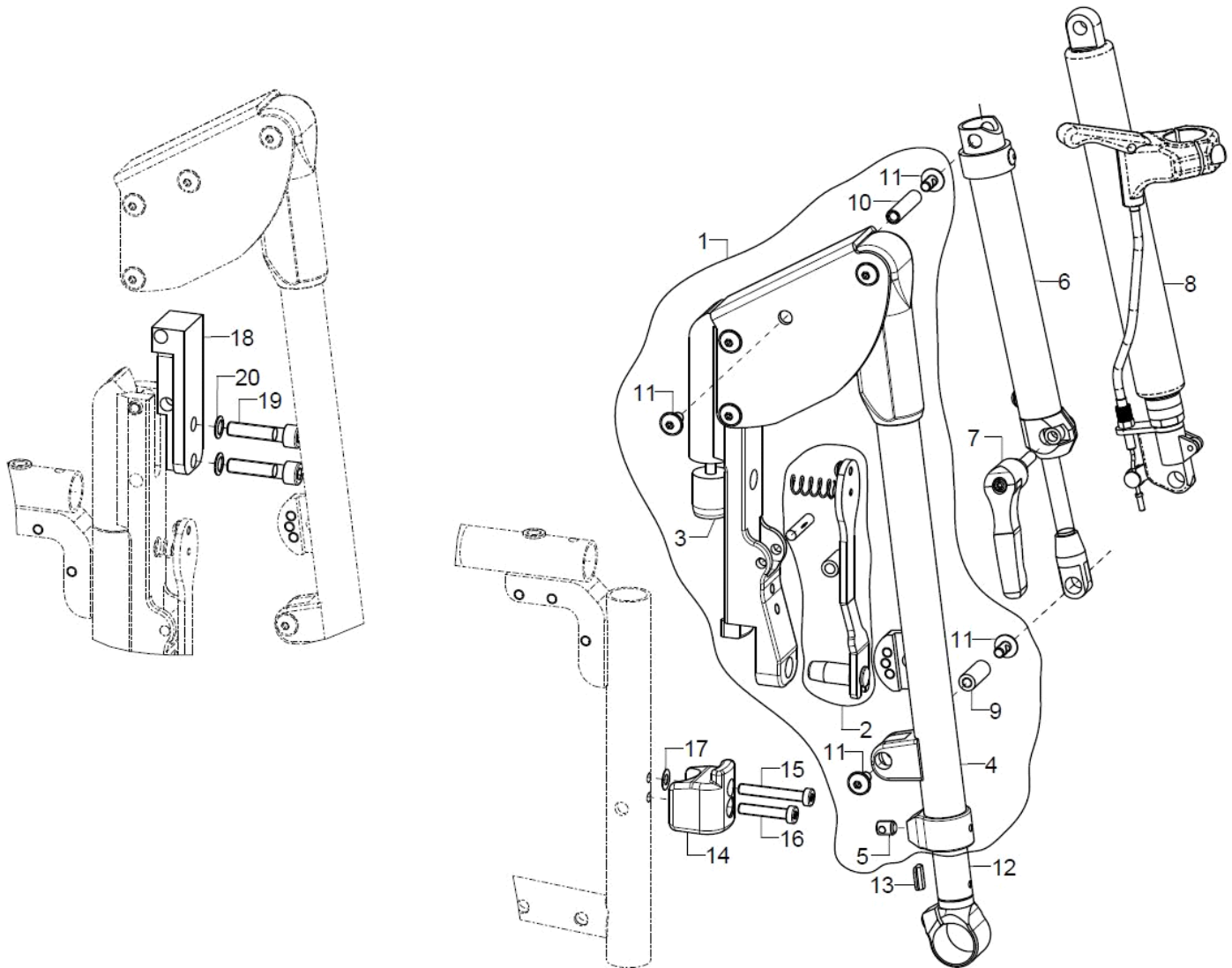
pcs.	Q/1	item no.	Product name:	Variant:	drawing no.
1a-4	1	40370802			40.37.08.00.02.75
o.B.	1	40370801			40.37.08.00.01.75
1a-4	1	40370902			40.37.09.00.02.75
o.B.	1	40370901			40.37.09.00.01.75
1b-4	1	40370804			40.37.10.00.02.75
o.B.	1	40370803			40.37.10.00.01.75
2-4	1	40370103			40.37.01.03.00.75
3	1				01.22.08.58.62.40
4	1		washer reinforced $\varnothing 14/6,2 \times 2$		58.30.15.01.00.24
5-10	1	40380808			
o.B.	1	40380807			
5	2				40.37.08.02.00.75
6	1				01.43.07.89.65.01
7	1				40.37.08.04.00.75
8	1				04.21.01.10.26.00
9	1				40.37.08.05.90.75
10	1				03.36.04.20.00.01
11-14	2	40370810			40.37.08.03.00.75
12	1				01.24.08.58.05.01
13	1				01.24.08.60.05.01
14	1				02.68.06.00.30.30

Leg support holder, elevating



pcs.	Q/1	item no.	Product name:	Variant:	drawing no.
1-30	1	40370502			
o.B.	1	40370501			
1	1	40371002			40.37.06.10.02.75
o.B.	1	40371001			40.37.06.10.01.75
altern.	1	40371004			40.37.06.15.02.75
o.B.	1	40371003			40.37.06.15.01.75
2-4	1	40370617			40.37.06.17.00.75
3	1				02.99.20.70.01.10
4	1				01.24.09.74.05.00
5-10	1	40370122			40.37.01.04.02.75
o.B.	1	40370121			40.37.01.04.01.75
6	1				40.37.01.08.00.75
7	1				40.37.01.09.02.75
o.B.	1				40.37.01.09.01.75
8	3		lens head screw with hexagon socket ISO 7380 - M5x20		01.42.07.94.65.00
9	3		spring ring DIN 127 - A 5		02.85.30.50.05.10
10	3		hexagon nut self-locking low form DIN 985 - M5		02.32.00.50.01.20
11-16	1	40370623			40.37.06.23.00.75
12	2		thread bushing M6x29,5		40.37.06.24.00.75
13	1		leg spring double arm		40.37.06.26.00.75
14	1		distance hexagon thread 6/8 M5x10		02.47.20.78.72.10
15	1		setscrew with hexagon socket DIN 913, M6x8		01.67.08.47.61.20
16	1		ball knob DIN 319 Ø20/M5, form C, black		04.06.12.00.50.40
17-20	1	40370627			
17	1	40370622			40.37.06.22.00.75
18-20	1	4037060502			40.37.06.01.02.75
o.B.	1	4037060501			40.37.06.01.01.75
altern.	1	4037060602			40.37.06.05.02.75
o.B.	1	4037060601			40.37.06.05.01.75
19-20	1	40370521			
19	1		cross handle M8x14		04.05.24.73.14.40
20	1		clamp piece		40.37.05.21.00.75
21-23	1	40301004			40.30.10.04.00.75
22	1		lens head screw with hexagon socket ISO 7380 - M6x10		01.42.08.48.65.00
23	1		lock washer S6		02.99.10.60.01.10
24-29	1	40370621			40.37.06.21.00.75
25	1	690101	latch ø6/M10x1x31 with lock		04.14.43.60.02.00
26	1		lock ring 10, DIN 471		03.01.01.00.93.00
27	1		bushing M6x36		40.37.06.25.99.75
28	4		lens head screw with hexagon socket ISO 7380 - M6x16		01.42.08.52.65.00
29	1		lens head screw with hexagon socket ISO 7380 - M6x22 Tuflock spot		01.66.08.55.92.60
30-32	1	40370526	leg support tube glued, long(BSH)		40.37.05.25.23.75
altern.	1	40370525			40.37.05.25.30.75
31	1		cylinder screw DIN 912 M6x16		01.22.08.52.62.40
32	1		lock washer S6		02.99.10.60.01.10

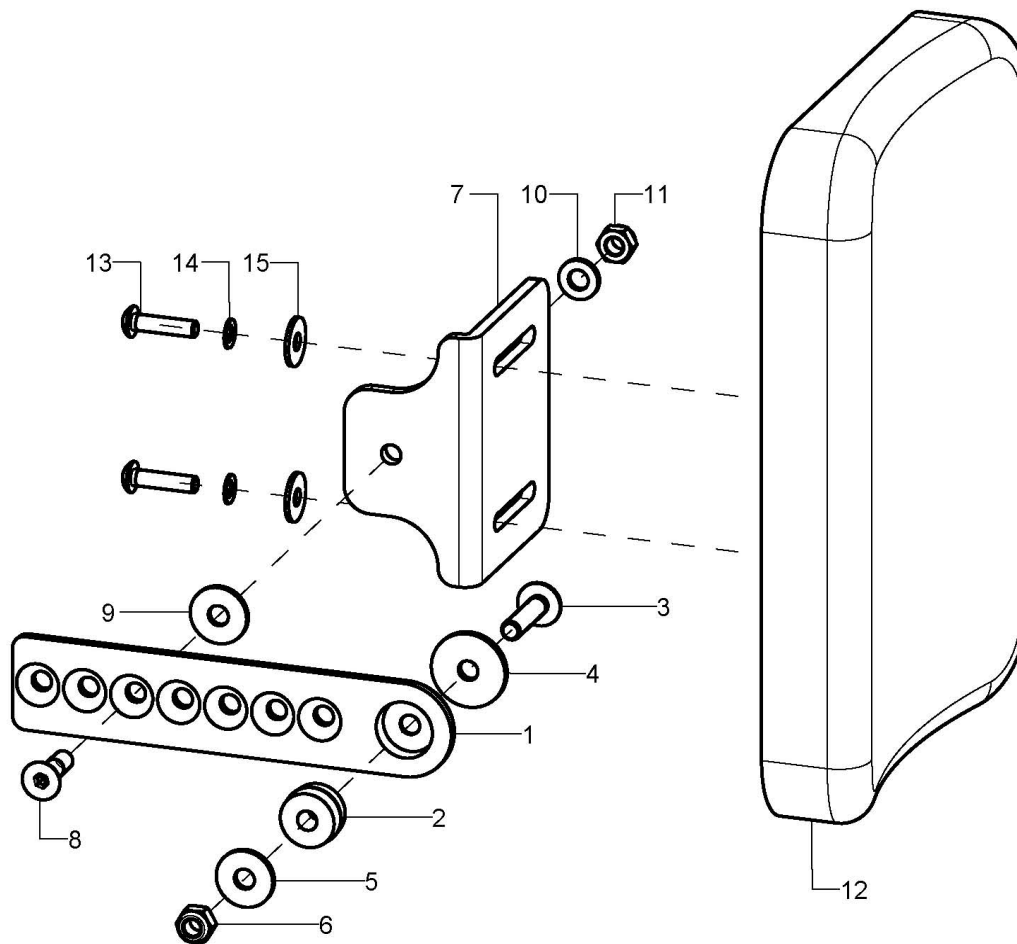
Die geeigneten Fußauflagen inklusive Halterungen finden Sie unter dem Kapitel „Beinstütze geteilt, nach außen abschwenkbar und abnehmbar“



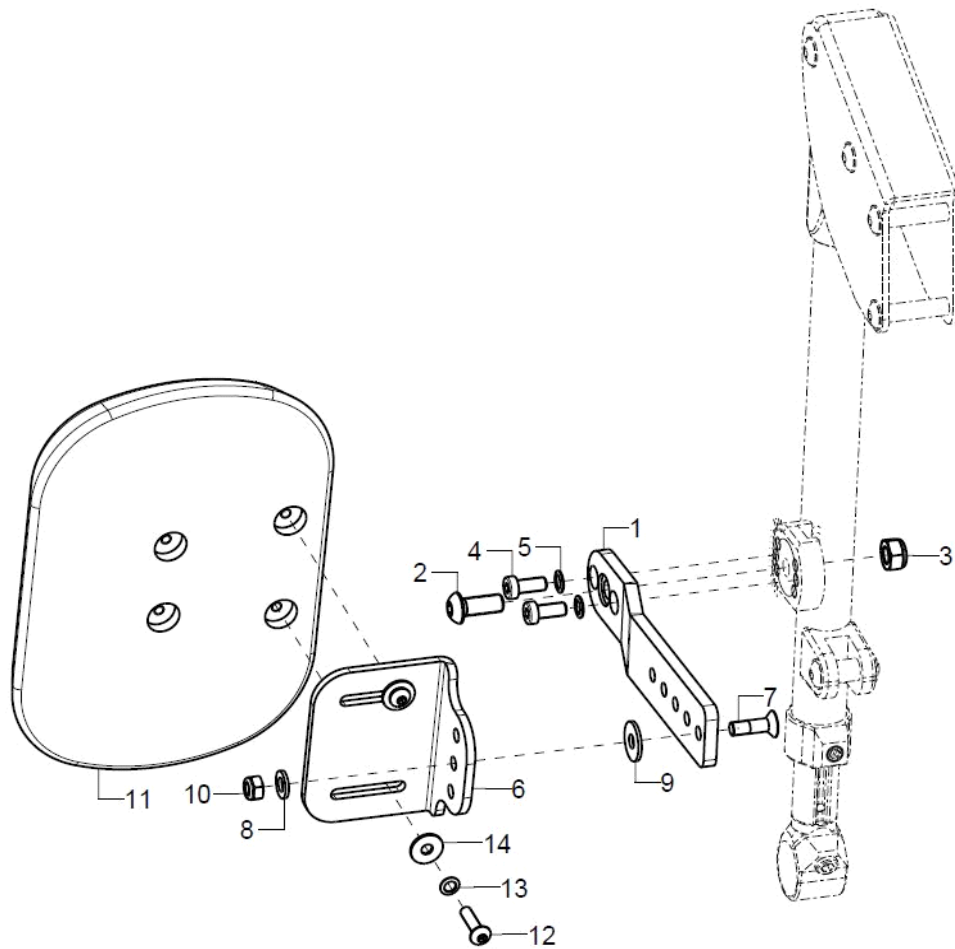


pcs.	Q/1	item no.	Product name:	Variant:	drawing no.
1+6	1				
o.B.	1				
1+8	1				
o.B.	1				
1	1				40.37.08.19.92.75
o.B.	1				40.37.08.19.91.75
2	1				40.37.08.32.00.75
3	1				40.37.08.28.00.75
4+5	1				40.37.15.01.02.75
o.B.	1				40.37.15.01.01.75
5	1				01.67.09.68.01.21
6+7	1				40.37.08.18.92.75
o.B.	1				40.37.08.18.91.75
7	1				04.13.10.60.25.51
8	1				40.37.15.04.99.75
9	1				02.47.10.85.62.10
10	1				40.37.08.08.00.75
11	4				01.43.08.48.62.61
12+13	2	40370526	leg support tube glued, long(BSH)		40.37.05.25.23.75
o.B.	2	40370525			40.37.05.25.30.75
13	1		clamp piece		40.37.05.21.00.75
14-17	2	40370810			40.37.08.03.00.75
15	1				01.24.08.60.05.01
16	1				01.24.08.58.05.01
17	1				02.68.06.00.30.30
18-20	2				40.37.08.38.00.75

Calf rest



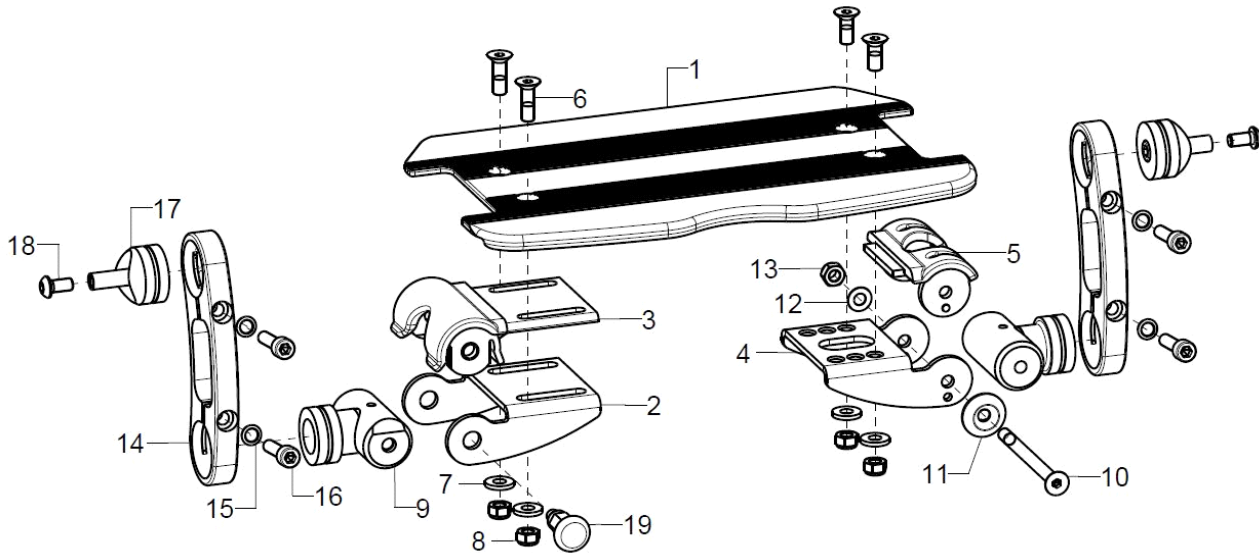
pcs.	Q/1	item no.	Product name:	Variant:	drawing no.
1-15	1	403006			
1-6	1	40301003			40.30.10.01.00.75
2	1				40.24.01.02.00.54
3	1		lens head screw with hexagon socket ISO 7380 - M6x25		01.42.08.56.65.00
4	1		washer 23,5x6,2x2 black anodized		58.67.01.07.00.67
5	1		washer DIN 9021 - 6,4		02.79.06.41.60.20
6	1		hexagon nut self-locking low form DIN 985 - M6		02.32.00.60.01.20
7-11	1	40300604	angle holder incl. mounting set		40.30.06.04.00.10
8	1		counter sunk screw with hexagon socket DIN 7991 M6x20		01.65.08.54.02.40
9	1		washer DIN 9021- 6,4- PA		02.79.06.41.60.70
10	1		washer DIN 125 - A 6,4		02.61.06.41.41.20
11	1		hexagon nut self-locking low form DIN 985 - M6		02.32.00.60.01.20
12-15	1	40300610	calf rest 150x120x30 PU black incl. mounting set		04.65.09.15.13.20
o.B.	1	40300611	calf rest 230x170x30 PU black incl. mounting set		04.65.09.22.15.20
13	2		lens head screw with hexagon socket ISO 7380 - M5x20		01.42.07.94.65.00
14	2		lock washer S5		02.99.10.50.01.10
15	2		washer DIN 9021 - M5		02.79.05.31.20.20



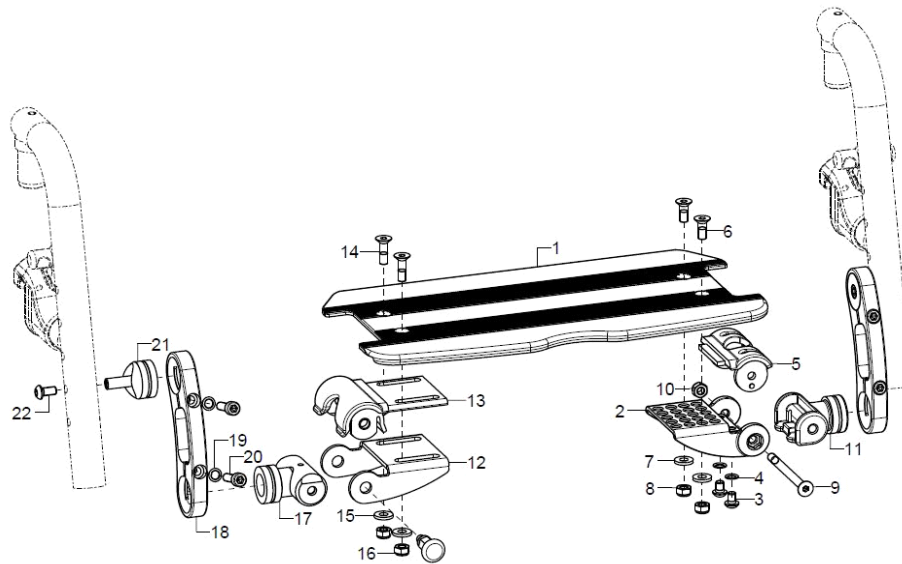
pcs.	Q/1	item no.	Product name:	Variant:	drawing no.
1-11	2				
1-5	1				40.37.07.17.00.75
2	1		lens head screw with hexagon socket ISO 7380 - M8x20		01.42.09.74.65.00
3	1		hexagon nut self-locking low form DIN 985 - M8		02.32.00.80.01.20
4	1				01.24.08.48.05.00
5	1		lock washer S6		02.99.10.60.01.10
6-10	1	40300604	angle holder incl. mounting set		40.30.06.04.00.10
7	1		counter sunk screw with hexagon socket DIN 7991 M6x20		01.65.08.54.02.40
8	1		washer DIN 125 - A 6,4		02.61.06.41.41.20
9	1		washer DIN 9021- 6,4- PA		02.79.06.41.60.70
10	1		hexagon nut self-locking low form DIN 985 - M6		02.32.00.60.01.20
11-14	1	40300611	calf rest 230x170x30 PU black incl. mounting set		04.65.09.22.15.20
o.B.	1	40300610	calf rest 150x120x30 PU black incl. mounting set		04.65.09.15.13.20
12	2				01.43.07.94.62.60
13	2		lock washer S5		02.99.10.50.01.10
14	2		washer DIN 9021 - M5		02.79.05.31.20.20

Leg support, undivided, hinged sideways, internal mounting

For lower leg length less seat cushion height: Standard height 4,5 to 32cm, XL-height 8,5 to 36cm, at straight frame only from SW28



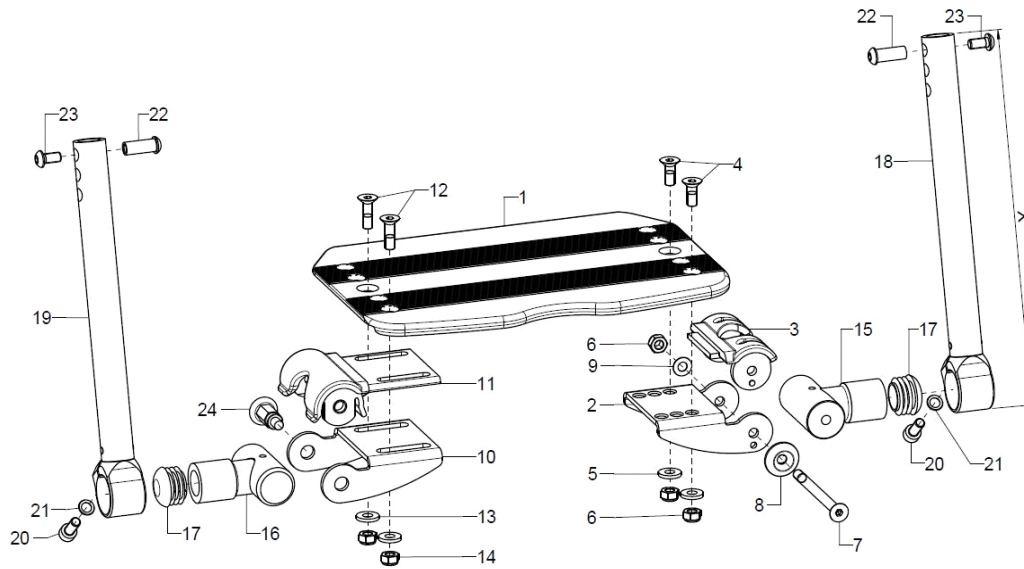
pcs.	Q/1	item no.	Product name:	Variant:	drawing no.
1-18	1	403601	leg support continuous standard, inner attachment complete		
1	1	40360710			40.36.07.00.00.74
altern.	1	40280100	continuous foot plate 8 mm		40.28.01.01.00.10
2+3+9+ 14-21	1	40362001	inner right attachment complete		40.36.20.01.90.00
4+5+9- 18	1	40362101	inner left attachment of leg support, joint side complete		40.36.21.01.90.00
2-3	1	40360106	adjustment part right incl. raster piece		40.36.01.06.00.74
3	1	40360101	locking piece		40.36.01.01.00.74
4-5	1	40360501	adjustment part left for inner attachment incl. raster		40.36.05.01.01.74
5	1	40360102	raster part for foot plate		40.36.01.02.00.74
6-8	2	40360599	mounting set adjustment piece		XXXXXXXXXXXX
6	2		counter sunk screw with hexagon socket DIN 7991 M6x20		01.65.08.54.02.40
7	2		washer reinforced Ø14/6,2x2		58.30.15.01.00.24
8	2		hexagon nut self-locking low form DIN 985 - M6		02.32.00.60.01.20
9	2	40360204	adapter for inner attachment incl. mounting set		40.36.02.04.00.74
10-13	1	40360299	mounting set adjustment piece		XXXXXXXXXXXX
10	1		counter sunk screw with hexagon socket DIN 7991 M6x75		01.65.08.67.02.40
11	1		rosette ring Ø22/6x4,5, black		04.14.70.60.09.00
12	1		fitted washer DIN 988 - 6x12x0,5 - A2		02.68.06.00.50.30
13	1		hexagon nut self-locking low form DIN 985 - M6		02.32.00.60.01.20
14	2	40390101	positioning part 12x125x41,9		40.39.01.01.00.69
altern.	2	40390110	positioning part 12x175x42,1		40.39.01.10.00.69
15-16	2	40390199	mounting set positioning part		
15	2		lock washer S6		02.99.10.60.01.10
16	2		cylinder screw DIN 912 M6x25		01.22.08.56.02.40
17	2	40390103	foot plate attachment		40.39.01.03.00.69
17-18	2	40390399	mounting set for foot plate attachment		
17	1				40.39.01.03.99.69
18	1		lens head screw with hexagon socket ISO 7380 - M6x12		01.42.08.49.65.00
19	1	690101	latch Ø6/M10x1x31 with lock		04.14.43.60.02.00
2+19	1	400902	lock complete		



pcs.	Q/1	item no.	Product name:	Variant:	drawing no.
1-22	1				
1	1	40280100	continuous foot plate 8 mm		40.28.01.01.00.10
2-5	2	40361020	adjustment unit divided incl. grid		40.36.10.30.00.74
3	2		lens head screw with hexagon socket ISO 7380 - M6x8		01.42.08.47.65.00
4	2		lock washer S6		02.99.10.60.01.10
5	1	40360102	raster part for foot plate		40.36.01.02.00.74
6-10	1	40360299	mounting set adjustment piece		XXXXXXXXXXXX
6	2		counter sunk screw with hexagon socket DIN 7991 M6x16		01.65.08.52.02.40
7	2		washer reinforced Ø14/6,2x2		58.30.15.01.00.24
8	2		hexagon nut self-locking low form DIN 985 - M6		02.32.00.60.01.20
9	1		counter sunk screw with hexagon socket DIN 7991 M6x75		01.65.08.67.02.40
10	1		hexagon nut self-locking low form DIN 985 - M6		02.32.00.60.01.20
11	1	40360400			40.36.04.00.00.74
12-13	1	40360106	adjustment part right incl. raster piece		40.36.01.06.00.74
13	1	40360101	locking piece		40.36.01.01.00.74
14-16	1	40360599	mounting set adjustment piece		XXXXXXXXXXXX
14	2		counter sunk screw with hexagon socket DIN 7991 M6x20		01.65.08.54.02.40
15	2		washer reinforced Ø14/6,2x2		58.30.15.01.00.24
16	2		hexagon nut self-locking low form DIN 985 - M6		02.32.00.60.01.20
17	1	40360204	adapter for inner attachment incl. mounting set		40.36.02.04.00.74
18	2	40390101	positioning part 12x125x41,9		40.39.01.01.00.69
altern.	2	40390110	positioning part 12x175x42,1		40.39.01.10.00.69
19-20	2	40390199	mounting set positioning part		
19	2		lock washer S6		02.99.10.60.01.10
20	2		cylinder screw DIN 912 M6x25		01.22.08.56.02.40
21-22	2	40390399	mounting set for foot plate attachment		
21	1				40.39.01.03.99.69
22	1		lens head screw with hexagon socket ISO 7380 - M6x12		01.42.08.49.65.00
23	1	690101	latch Ø6/M10x1x31 with lock		04.14.43.60.02.00
12+17	1	400902	lock complete		
+23					

Leg support, undivided, hinged sideways, external mounting

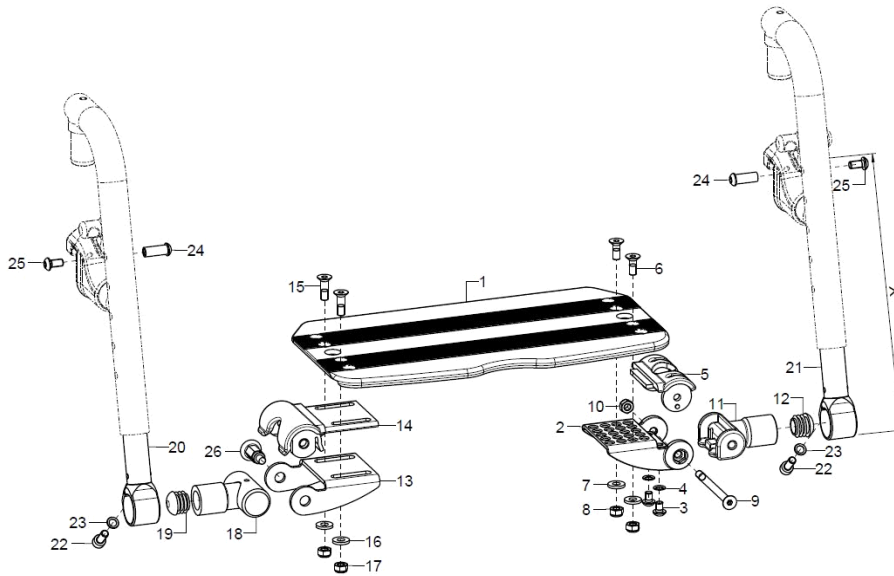
For lower leg length less seat cushion height: Standard height 31,5 to 48cm, XL-height 35,5 to 52cm, at straight frame only from SW28



pcs.	Q/1	item no.	Product name:	Variant:	drawing no.
1-23	1	403610	leg support continuous, folds up sideways, outer attachment complete		XXXXXXXXXXXX
1	1	40280100	continuous foot plate 8 mm		40.28.01.01.00.10
2-3	1	40360105	adjustment part left incl. raster piece		40.36.01.05.00.74
3	1	40360102	raster part for foot plate		40.36.01.02.00.74
4-9	1	40360299	mounting set adjustment piece		XXXXXXXXXXXX
4	2		counter sunk screw with hexagon socket DIN 7991 M6x16		01.65.08.52.02.40
5	2		washer reinforced Ø14/6,2x2		58.30.15.01.00.24
6	3		hexagon nut self-locking low form DIN 985 - M6		02.32.00.60.01.20
7	1		counter sunk screw with hexagon socket DIN 7991 M6x75		01.65.08.67.02.40
8	1		rosette ring Ø22/6x4,5, black		04.14.70.60.09.00
9	1		fitted washer DIN 988 - 6x12x0,5 - A2		02.68.06.00.50.30
10-11	1	40360106	adjustment part right incl. raster piece		40.36.01.06.00.74
11	1	40360101	locking piece		40.36.01.01.00.74
12-14	1	40360599	mounting set adjustment piece		XXXXXXXXXXXX
12	2		counter sunk screw with hexagon socket DIN 7991 M6x20		01.65.08.54.02.40
13	2		washer reinforced Ø14/6,2x2		58.30.15.01.00.24
14	2		hexagon nut self-locking low form DIN 985 - M6		02.32.00.60.01.20
15+17	1	40360111	joint D6 incl. plug		40.36.01.11.50.74
16+17	1	40360110	joint incl. plug		40.36.01.10.50.74
o.B.	1	40360112	joint for latch incl. plug		40.36.01.12.50.74
17	2		plugs for tube Ø25x1-2, black		04.63.10.25.00.10
18+20	1	40360121	leg support tube glued 235 mm left, incl. mounting screws +21		40.36.01.15.21.74
o.B.	1	40360131	leg support tube glued 305 mm left, incl. mounting screws		40.36.01.15.31.74
19+20	1	40360122	leg support tube glued 235 mm right, incl. mounting screws +21		40.36.01.15.22.74
o.B.	1	40360132	leg support tube glued 305 mm right, incl mounting screws		40.36.01.15.32.74
20	1		cylinder screw DIN 912 M6x16		01.22.08.52.62.40
21	1		lock washer S6		02.99.10.60.01.10
22-23	2	40390299	mounting set leg support tube		40.39.02.99.90.00
22	1				40.39.01.03.99.69
23	1		lens head screw with hexagon socket ISO 7380 - M6x12		01.42.08.49.65.00



24	1	690101	latch \varnothing 6/M10x1x31 with lock	04.14.43.60.02.00
10+16	1	400903		
+24				



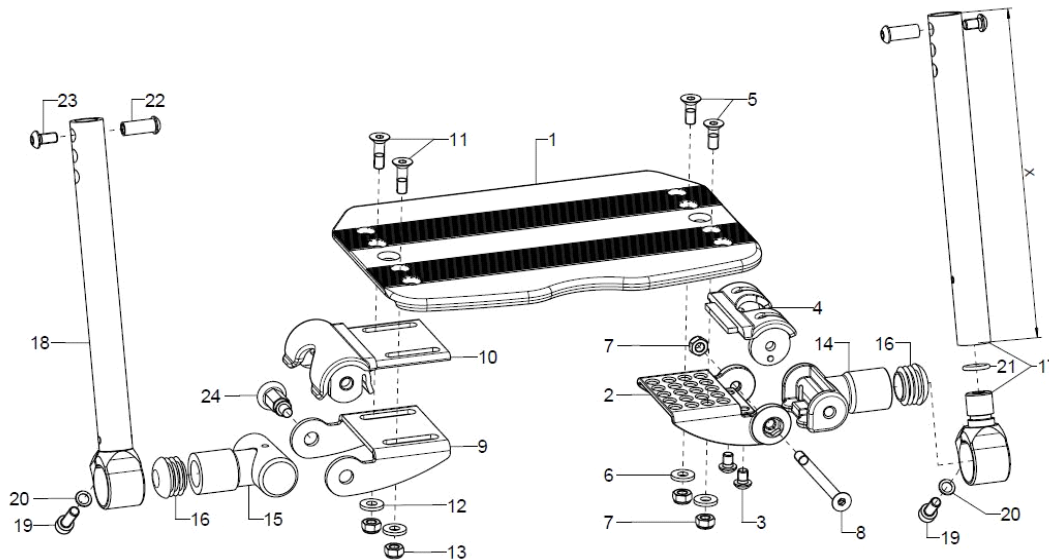
pcs.	Q/1	item no.	Product name:	Variant:	drawing no.
1-25	1				
1	1	40280100	continuous foot plate 8 mm		40.28.01.01.00.10
2-5	2	40361020	adjustment unit divided incl. grid		40.36.10.30.00.74
3	2		lens head screw with hexagon socket ISO 7380 - M6x8		01.42.08.47.65.00
4	2		lock washer S6		02.99.10.60.01.10
5	1	40360102	raster part for foot plate		40.36.01.02.00.74
6-10	1	40360299	mounting set adjustment piece		XXXXXXXXXXXXX
6	2		counter sunk screw with hexagon socket DIN 7991 M6x16		01.65.08.52.02.40
7	2		washer reinforced $\varnothing 14/6,2 \times 2$		58.30.15.01.00.24
8	2		hexagon nut self-locking low form DIN 985 - M6		02.32.00.60.01.20
9	1		counter sunk screw with hexagon socket DIN 7991 M6x75		01.65.08.67.02.40
10	1		hexagon nut self-locking low form DIN 985 - M6		02.32.00.60.01.20
11-12	1	40360205	joint for divided leg support incl. plug		40.36.10.31.00.74
12	1		plugs for tube $\varnothing 25 \times 1-2$, black		04.63.10.25.00.10
13-14	1	40360106	adjustment part right incl. raster piece		40.36.01.06.00.74
14	1	40360101	locking piece		40.36.01.01.00.74
15-17	1	40360599	mounting set adjustment piece		XXXXXXXXXXXXX
15	2		counter sunk screw with hexagon socket DIN 7991 M6x20		01.65.08.54.02.40
16	2		washer reinforced $\varnothing 14/6,2 \times 2$		58.30.15.01.00.24
17	2		hexagon nut self-locking low form DIN 985 - M6		02.32.00.60.01.20
18+19	1	40360110	joint incl. plug		40.36.01.10.50.74
o.B.	1	40360112	joint for latch incl. plug		40.36.01.12.50.74
19	1		plugs for tube $\varnothing 25 \times 1-2$, black		04.63.10.25.00.10
20+22	1	40360122	leg support tube glued 235 mm right, incl. mounting screws +23		40.36.01.15.22.74
o.B.	1	40360132	leg support tube glued 305 mm right, incl mounting screws		40.36.01.15.32.74
21-23	1	40360121	leg support tube glued 235 mm left, incl. mounting screws		40.36.01.15.21.74
o.B.	1	40360131	leg support tube glued 305 mm left, incl. mounting screws		40.36.01.15.31.74
22	1		cylinder screw DIN 912 M6x16		01.22.08.52.62.40
23	1		lock washer S6		02.99.10.60.01.10
24+25	2	40390299	mounting set leg support tube		40.39.02.99.90.00
24	1				40.39.01.05.50.69
25	1		lens head screw with hexagon socket ISO 7380 - M6x12		01.42.08.49.65.00



26	1	690101	latch \varnothing 6/M10x1x31 with lock	04.14.43.60.02.00
13+18	1	400903		
+26				

Leg support undivided, hinged sideways, to swing-away, external mounting

For lower leg length less seat cushion height: Standard height 31,5 to 48cm, XL-height 35,5 to 52cm, at straight frame only from SW28



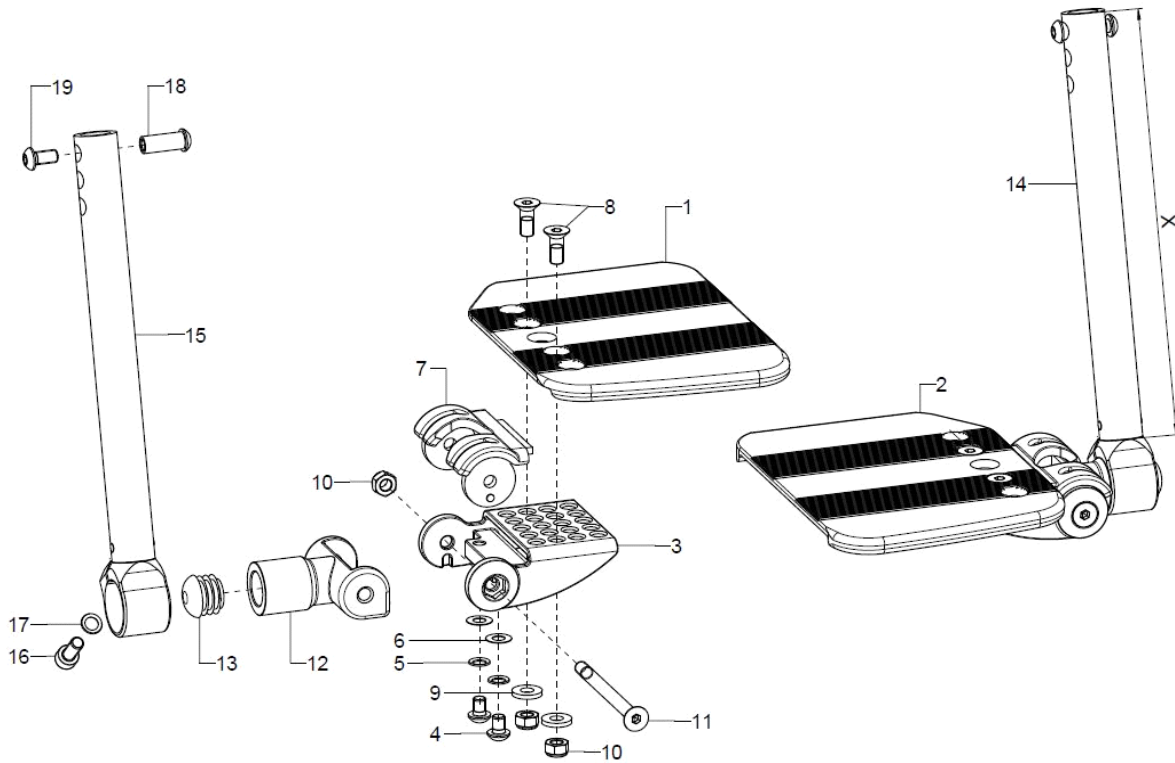
pcs.	Q/1	item no.	Product name:	Variant:	drawing no.
1-23	1	403611	leg support continuous, folds up sideways,swing-away, outer attachment complete		XXXXXXXXXXXX
1	1	40280100	continuous foot plate 8 mm		40.28.01.01.00.10
2-4	1	40361020	adjustment unit divided incl. grid		40.36.10.30.00.74
3	2		lens head screw with hexagon socket ISO 7380 - M6x8		01.42.08.47.65.00
4	1	40360102	raster part for foot plate		40.36.01.02.00.74
5-8	1	40360299	mounting set adjustment piece		XXXXXXXXXXXX
5	2		counter sunk screw with hexagon socket DIN 7991 M6x16		01.65.08.52.02.40
6	2		washer reinforced Ø14/6,2x2		58.30.15.01.00.24
7	3		hexagon nut self-locking low form DIN 985 - M6		02.32.00.60.01.20
8	1		counter sunk screw with hexagon socket DIN 7991 M6x75		01.65.08.67.02.40
9-10	1	40360106	adjustment part right incl. raster piece		40.36.01.06.00.74
10	1	40360101	locking piece		40.36.01.01.00.74
11-13	2	40360599	mounting set adjustment piece		XXXXXXXXXXXX
11	2		counter sunk screw with hexagon socket DIN 7991 M6x20		01.65.08.54.02.40
12	2		washer reinforced Ø14/6,2x2		58.30.15.01.00.24
13	2		hexagon nut self-locking low form DIN 985 - M6		02.32.00.60.01.20
14+16	1	40360205	joint for divided leg support incl. plug		40.36.10.31.00.74
15+16	1	40360110	joint incl. plug		40.36.01.10.50.74
altern.	1	40360112	joint for latch incl. plug		40.36.01.12.50.74
16	2		plugs for tube ø25x1-2, black		04.63.10.25.00.10
17+19-21	1	40360320	leg support tube swingaway 235 mm, complete		40.36.03.04.20.74
o.B.	1	40360330	leg support tube detachable 305 mm		40.36.03.04.30.74
18-20	1	40360122	leg support tube glued 235 mm right, incl. mounting screws		40.36.01.15.22.74
o.B.	1	40360132	leg support tube glued 305 mm right, incl mounting screws		40.36.01.15.32.74
19	1		cylinder screw DIN 912 M6x16		01.22.08.52.62.40
20	1		lock washer S6		02.99.10.60.01.10
21	1		O-ring 12x2,2 mm, black		04.62.01.12.22.00
22-23	2	40390299	mounting set leg support tube		40.39.02.99.90.00
22	1				40.39.01.05.50.69
23	1		lens head screw with hexagon socket ISO 7380 - M6x12		01.42.08.49.65.00
24	1	690101	latch ø6/M10x1x31 with lock		04.14.43.60.02.00



9+15+ 1 400902 lock complete
24

Leg support, divided, hinged sideways, internal mounting

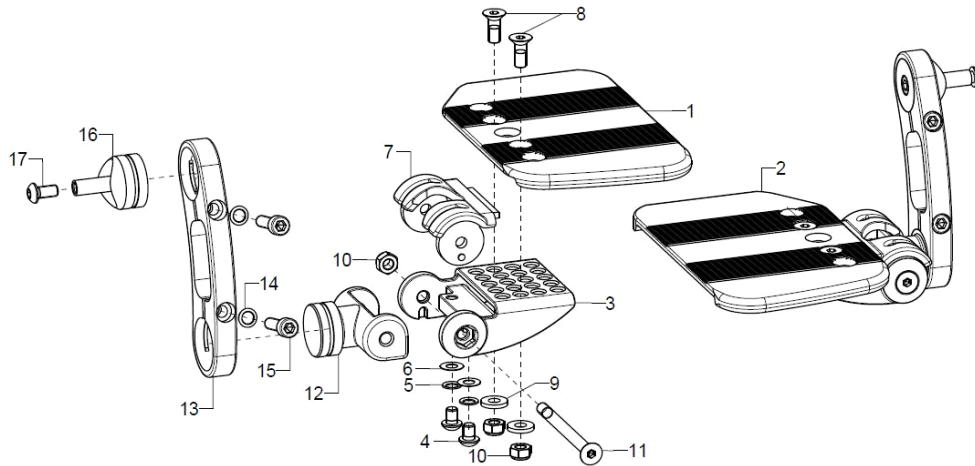
For lower leg length less seat cushion height: Standard height 31,5 to 48cm, XL-height 35,5 to 52cm, at straight frame only from SW28



pcs.	Q/1	item no.	Product name:	Variant:	drawing no.
1-19	1	403612	leg support divided, folds up sideways, outer attachment, complete		XXXXXXXXXXXX
1	1	40361000	foot plate 8mm divided right		40.36.10.XX.02.74
2	1	40361100	foot plate 8mm divided left		40.36.10.XX.02.74
3-7	2	40361020	adjustment unit divided incl. grid		40.36.10.30.00.74
4	2		lens head screw with hexagon socket ISO 7380 - M6x8		01.42.08.47.65.00
5	1		lock washer S6		02.99.10.60.01.10
6	2				02.68.06.00.30.30
7	1	40360102	raster part for foot plate		40.36.01.02.00.74
8-11	1	40360299	mounting set adjustment piece		XXXXXXXXXXXX
8	2		counter sunk screw with hexagon socket DIN 7991 M6x16		01.65.08.52.02.40
9	2		washer reinforced Ø14/6,2x2		58.30.15.01.00.24
10	3		hexagon nut self-locking low form DIN 985 - M6		02.32.00.60.01.20
11	1		counter sunk screw with hexagon socket DIN 7991 M6x75		01.65.08.67.02.40
12-13	2	40360205	joint for divided leg support incl. plug		40.36.10.31.00.74
13	1		plugs for tube Ø20x1-2, black		04.63.10.20.00.10
14+16	1	40360121	leg support tube glued 235 mm left, incl. mounting screws +17		40.36.01.15.21.74
o.B.	1	40360131	leg support tube glued 305 mm left, incl. mounting screws		40.36.01.15.31.74
15+16	1	40360122	leg support tube glued 235 mm right, incl. mounting screws +17		40.36.01.15.22.74
o.B.	1	40360132	leg support tube glued 305 mm right, incl mounting screws		40.36.01.15.32.74
16	1		cylinder screw DIN 912 M6x16		01.22.08.52.62.40
17	1		lock washer S6		02.99.10.60.01.10
18-19	2	40390299	mounting set leg support tube		40.39.02.99.90.00
18	1				40.39.01.05.50.69
19	1		lens head screw with hexagon socket ISO 7380 - M6x12		01.42.08.49.65.00

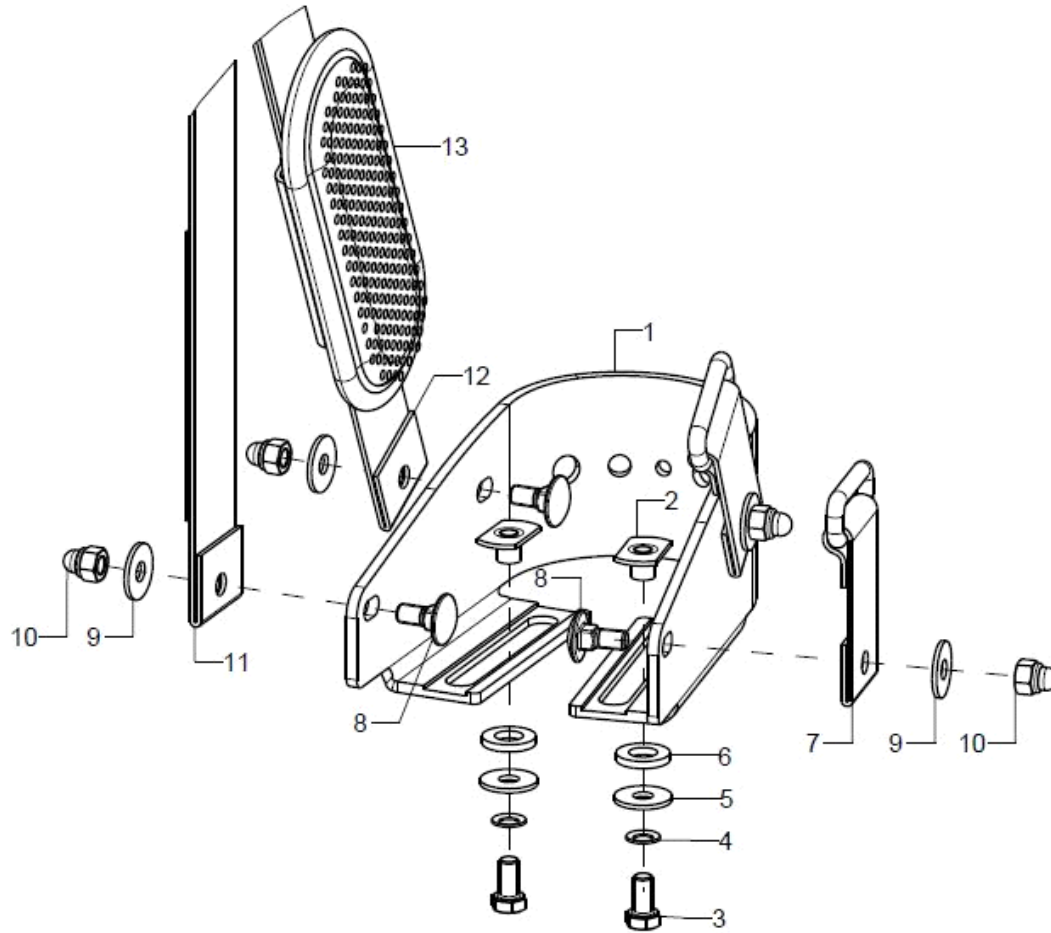
Leg support, divided, hinged sideways, external mounting

For lower leg length less seat cushion height: Standard height 4,5 to 32cm, XL-height 8,5 to 36cm, at straight frame only from SW28



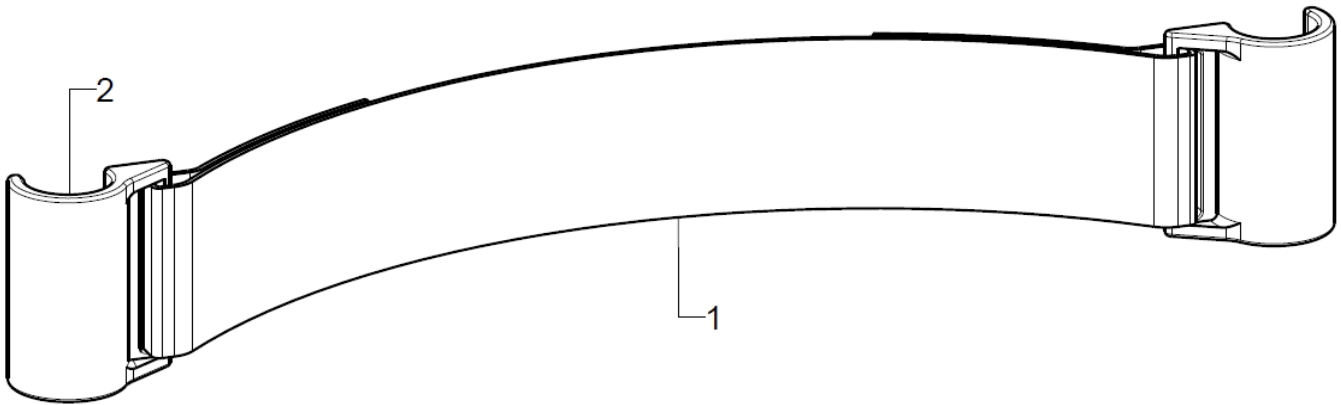
pcs.	Q/1	item no.	Product name:	Variant:	drawing no.
1-17	1	403602	leg support divided, folds up sideways, inner attachment, complete		
1	1	40361000	foot plate 8mm divided right		40.36.10.XX.02.74
2	1	40361100	foot plate 8mm divided left		40.36.10.XX.02.74
3-17	2	40362002	inner attachment of divided leg support complete (adjustment part, locking part, joint, positioning part (length), connection cone, mounting set)		
3-7	2	40361020	adjustment unit divided incl. grid		40.36.10.30.00.74
4	2		lens head screw with hexagon socket ISO 7380 - M6x8		01.42.08.47.65.00
5	2		lock washer S6		02.99.10.60.01.10
6	2				02.68.06.00.30.30
7	2	40360102	raster part for foot plate		40.36.01.02.00.74
8-11	2	40360299	mounting set adjustment piece		XXXXXXXXXXXX
8	2		counter sunk screw with hexagon socket DIN 7991 M6x16		01.65.08.52.02.40
9	2		washer reinforced Ø14/6,2x2		58.30.15.01.00.24
10	3		hexagon nut self-locking low form DIN 985 - M6		02.32.00.60.01.20
11	1		counter sunk screw with hexagon socket DIN 7991 M6x75		01.65.08.67.02.40
12	2	40360400			40.36.04.00.00.74
13	2	40390101	positioning part 12x125x41,9		40.39.01.01.00.69
altern.	2	40390110	positioning part 12x175x42,1		40.39.01.10.00.69
14-15	2	40390199	mounting set positioning part		
14	2		lock washer S6		02.99.10.60.01.10
15	2		cylinder screw DIN 912 M6x25		01.22.08.56.02.40
16-17	2	40390399	mounting set for foot plate attachment		
16	1				40.39.01.03.99.69
17	1		lens head screw with hexagon socket ISO 7380 - M6x12		01.42.08.49.65.00

Heel cups



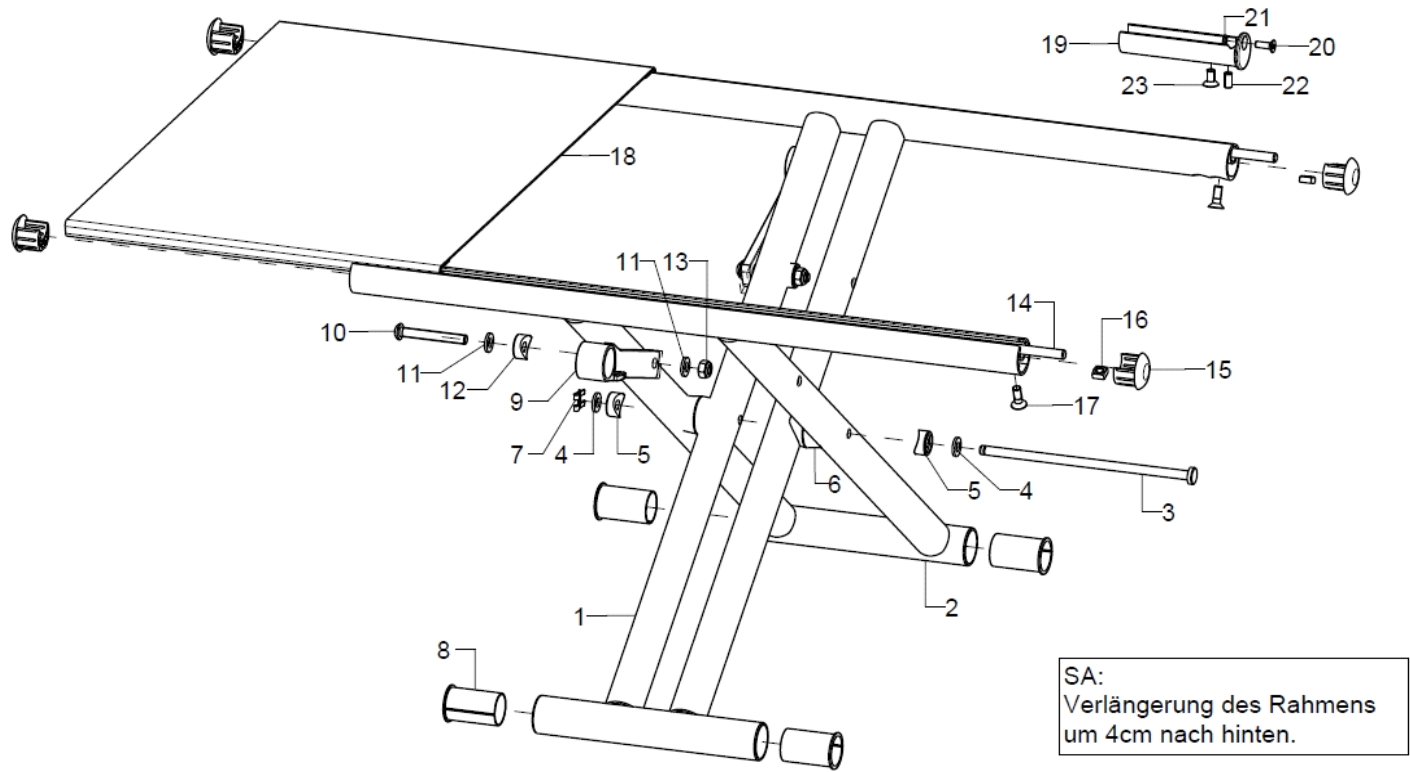
pcs.	Q/1	item no.	Product name:	Variant:	drawing no.
1-6	2	40551501			40.55.15.01.00.76
altern.	2	40551502			40.55.15.02.00.76
altern.	2	40551503			40.55.15.03.00.76
2	1		weld nut C- M5x7,5		02.49.33.03.00.10
3	1				01.04.07.88.02.40
4	1		lock washer S5		02.99.10.50.01.10
5	1		washer DIN 9021 -6,4		02.79.06.41.60.20
6	1				02.83.07.42.00.80
7-13	2	40201501			
altern.	2	40201502			
altern.	2	40201503			

Calf belt



pcs.	Q/1	item no.	Product name:	Variant:	drawing no.
1-2	1	4041			
1	1	404108			40.41.03.XX.00.10
2	2	404106			40.41.06.01.00.10

cross brace and seat cover

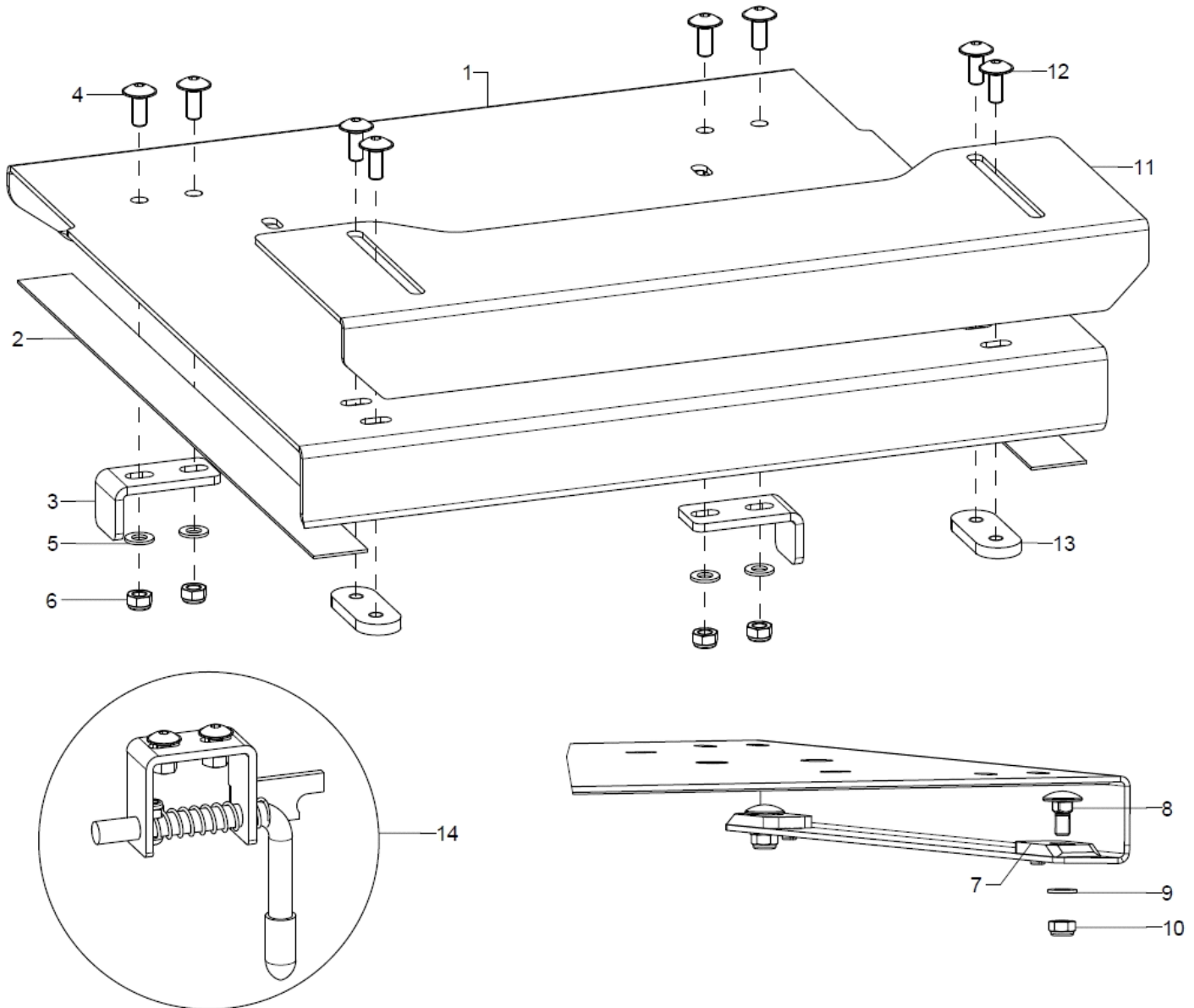


pcs.	Q/1	item no.	Product name:	Variant:	drawing no.
1-17	1	582701			
o.B.	1	582702			
o.B.	1	582704			
o.B.	1	582705			
o.B.	1	582706			
o.B.	1	582707			
1	1				58.27.XX.01.00.75
2	1				58.27.XX.01.00.75
3-8	1	58260298	mounting set crossbrace		XXXXXXXXXXXX
3	1				58.27.01.01.00.75
4	2		washer DIN 125 - A 6,4		02.61.06.41.41.20
5	2				58.24.03.02.00.18
6	4		saddle washer black ø 24/6		04.63.39.24.06.30
7	1		protection for bolts and ripples 6		03.56.06.00.11.10
8	4	582604			58.26.03.01.00.74
9-13	2	582603	cross brace bracket incl. mounting set		
10-13	2	58260399	mounting set crossbrace lug		
10	1		lens head screw with hexagon socket ISO 7380 - M6x45		01.42.08.61.65.00
11	2		washer DIN 125 - A 6,4		02.61.06.41.41.20
12	1				58.24.03.02.00.18
13	1		hexagon nut self-locking low form DIN 985 - M6		02.32.00.60.01.20
14-17	2	191408	seat cover rod incl. mounting set		19.14.01.01.00.74
15	2	58260501	end cap for seat profile		58.26.05.01.00.74
16	1				02.13.00.50.00.20
17	1		counter sunk screw with hexagon socket DIN 7991 M5x14		01.65.07.90.05.00



18	1	1914	seat cover	
19-23	2	582605	seat extension incl. mounting set	58.26.05.02.00.74
20	1		counter sunk screw with hexogon socket DIN 7991 M4x12	01.65.07.29.05.00
21	1		lock washer S4	02.99.10.40.01.10
22	1		setscrew with hexagon socket DIN 913, M5x10	01.67.07.88.61.20
23	1		counter sunk screw with hexogon socket DIN 7991 M5x10	01.65.07.88.05.00

Seat fix and seat extension



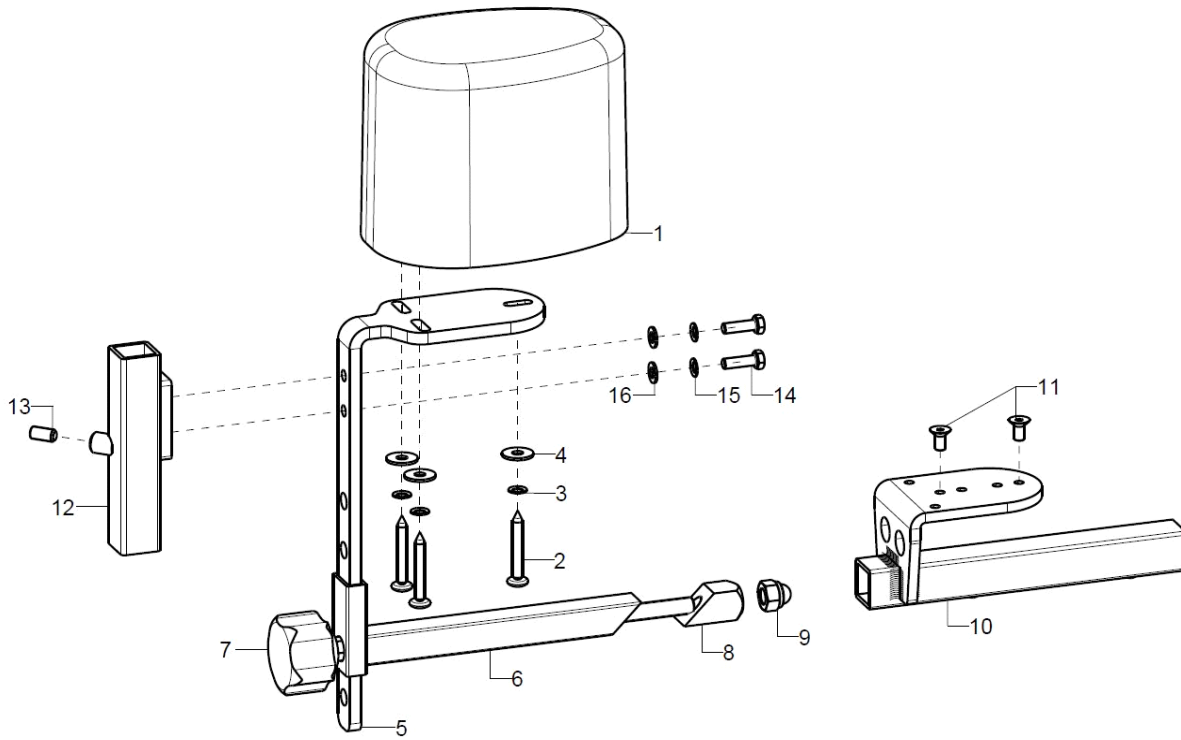
pcs.	Q/1	item no.	Product name:	Variant:	drawing no.
1-10	1	1926	SeatFix Jump incl. strap		19.26.02.00.00.74
2	2		Velcro strap 25 mm		00.42.61.02.50.11
3-6	2	191103	fixate bracket incl. mounting set		19.11.02.01.00.10
4	4		lens head screw with hexagon socket M5x12		01.43.07.89.65.00
5	4		washer DIN 125 - A 5,3		02.61.05.31.01.20
6	4		hexagon nut self-locking low form DIN 985 - M5		02.32.00.50.01.20
7-10	2	192601	wedge incl. mounting set		19.26.01.02.00.74
8	4		round-head screw DIN 6003 M5x12		01.11.07.89.00.40
9	4		washer DIN 125 - A 5,3		02.61.05.31.01.20
10	4		hexagon nut self-locking low form DIN 985 - M5		02.32.00.50.01.20
11-13	1	191107	seat extension incl. mounting set		19.11.04.01.00.10
12	4		lens head screw with hexagon socket M5x10		01.43.07.88.65.00
13	2				19.02.05.01.00.24
14	2	192021	seat lock right complete		

Seat cushion

pcs.	Q/1	item no.	Product name:	Variant:	drawing no.
o.B.	1	891002	anatomical seat cushion		XXXXXXXXXXXX
o.B.	1	891001			
o.B.	1	891003	cover for anatomical seat cushion		XXXXXXXXXXXX
o.B.	1	891004	incontinence cover for anatomical seat cushion		XXXXXXXXXXXX
o.B.	1	8003	seat cushion, synthetic foam, 3cm thick		XXXXXXXXXXXX
o.B.	1	8005	seat cushion, synthetic foam, 5cm thick		XXXXXXXXXXXX
o.B.	1	8103	seat cushion, memory foam, 3cm thick		XXXXXXXXXXXX
o.B.	1	8105	seat cushion, memory foam, 5cm thick		XXXXXXXXXXXX
o.B.	1	800050			
o.B.	1	8603	incontinence protection for 3cm cushion (non refundable)		
o.B.	1	8605	incontinence protection for 5cm cushion (non refundable)		

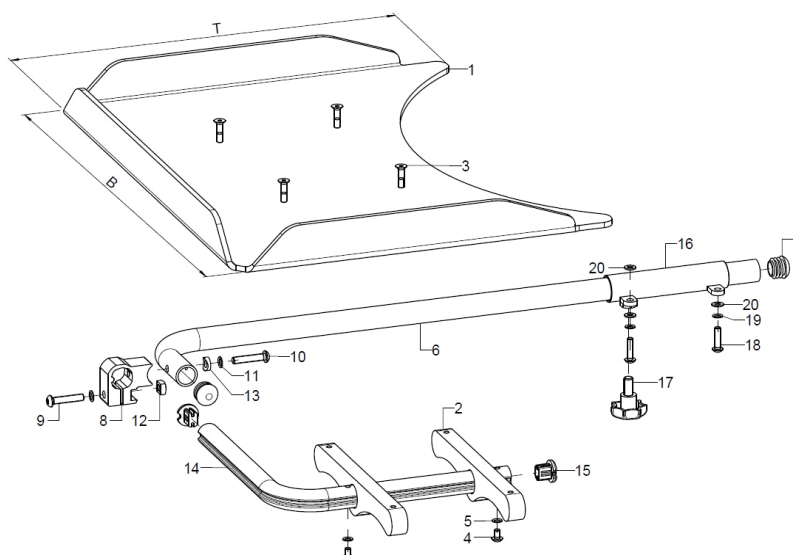
Stoffmuster	XX
schwarz	30
grau	31
nachtblau	32
ultramarinblau	33
petrol	34
applegreen	35
bordeauxrot	36
rot	37
pink	38

Abduction wedge



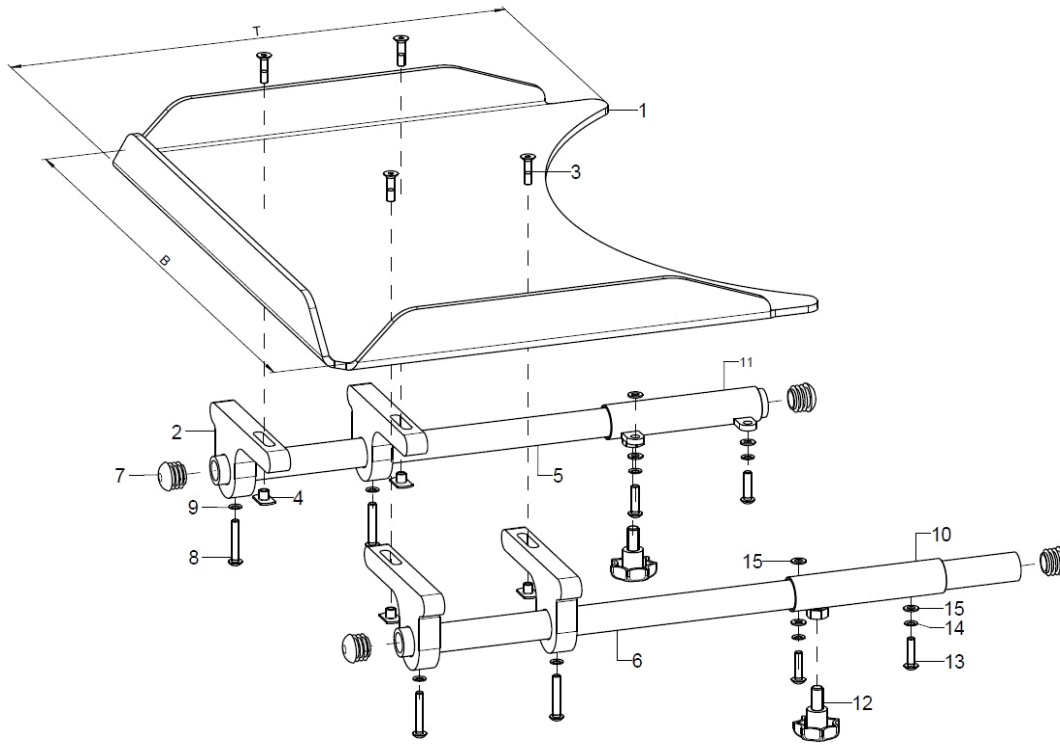
pcs.	Q/1	item no.	Product name:	Variant:	drawing no.
1-10	1	1952	abduction wedge size s		XXXXXXXXXXXX
o.B.	1	1953	abduction wedge size m		XXXXXXXXXXXX
o.B.	1	1954	abduction wedge size l		XXXXXXXXXXXX
1	1	195002	abduction wedge small		04.65.17.09.01.20
o.B.	1	195003	abduction wedge medium		04.65.17.11.03.20
o.B.	1	195004	abduction wedge large		04.65.17.13.02.20
2-4	1	19500299	mounting set abduction wedge on holder angle		XXXXXXXXXXXX
2	3				01.88.07.99.00.80
3	3		lock washer S5		02.99.10.50.01.10
4	3		washer DIN 9021 - M5		02.79.05.31.20.20
5-11	1	1951			
5	1	195101	bracket for abduction wedge		19.50.03.02.00.10
6	1	195103	weldment clamber		19.55.02.01.00.82
7-9	1	684004	clamping set for posterior truss pad or abduction wedge		XXXXXXXXXXXX
7	1				19.05.03.01.99.82
8	1				68.40.04.04.00.51
9	1				02.33.00.80.41.20
10-11	1	195102	weldment holder abduction wedge		19.50.01.01.00.10
11	2		counter sunk screw with hexagon socket DIN 7991 M5x10		01.65.07.88.05.00
12-16	1	400105	universal leg support socket for combination abduction wedge with therapy table incl. mounting set		40.01.01.05.00.28
13	1		setscrew with hexagon socket DIN 913, M6x12		01.67.08.49.61.20
14	2		hexagon screw DIN 933 - M5x16		01.04.07.92.02.40
15	2		lock washer S5		02.99.10.50.01.10
16	2		washer DIN 125 - A 5,3		02.61.05.31.01.20

Therapy table, version 1, hinged sidewards



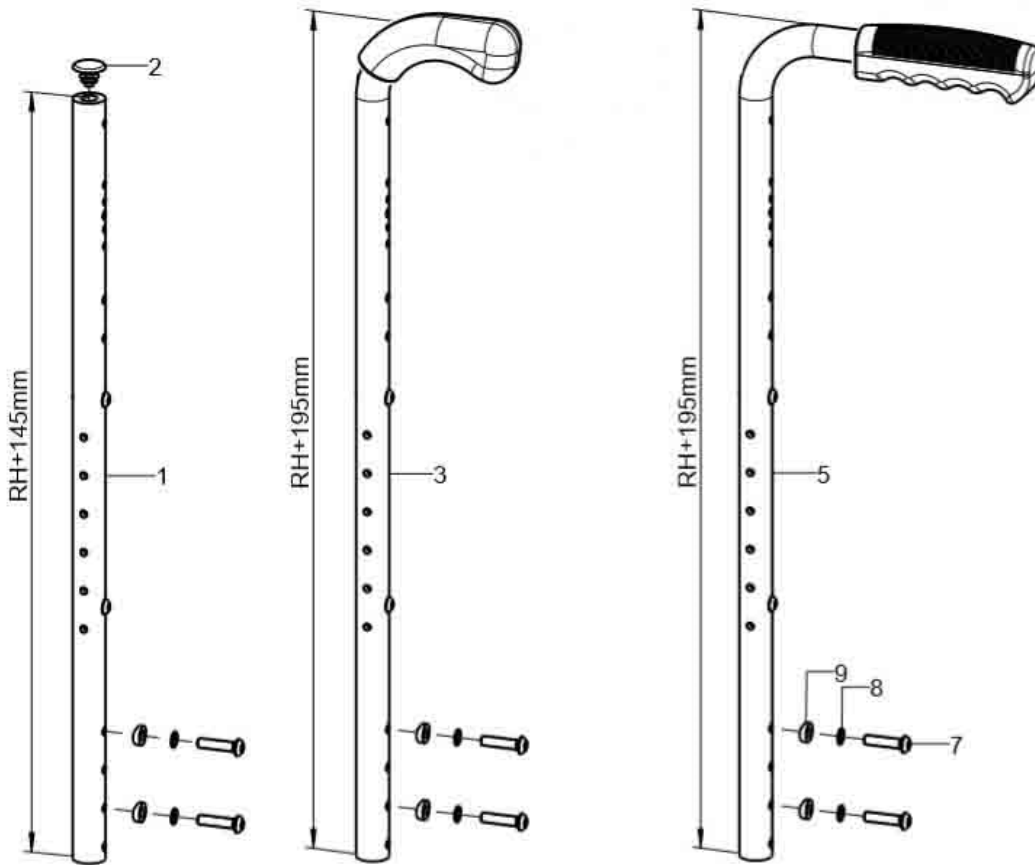
pcs.	Q/1	item no.	Product name:	Variant:	drawing no.
1-20	1	9204XX	therapy table version 1 swingaway to the side complete		XXXXXXXXXXXX
1	1	920030	therapy table size 1 (B45xT36) polycarbonate		92.00.10.01.00.51
o.B.	1	920031	therapy table size 2 (B59xT45) polycarbonate		92.00.11.01.00.51
o.B.	1	920032	therapy table size 3 (B70xT50) polycarbonate		92.00.12.01.00.51
o.B.	1	920033	therapy table size 1 (B50xT40) wood		92.00.13.01.00.10
o.B.	1	920034	therapy table size 2 (B60xT50) wood		92.00.14.01.00.10
2-20	1	9204	mounting set for therapy table version 1 complete without table		
2	2	920403	foldable supporting frame 15x35x200		92.04.01.01.00.10
3-5	1	92040399	mounting set support bracket		XXXXXXXXXXXX
3	4		counter sunk screw with hexagon socket DIN 7991 M5x20		01.65.07.94.05.00
4	2		lens head screw with hexagon socket ISO 7380 - M5x8		01.42.07.87.65.00
5	2		lock washer S5		02.99.10.50.01.10
6	1	920402	holding tube, incl. plug		92.04.02.00.00.10
7	2		plugs for tube ø20x1-2, black		04.63.10.20.00.10
8	1	92040403	clamp unit incl. mounting set		92.04.04.03.00.10
9-13	1	92040499	mounting set clamp unit		XXXXXXXXXXXX
9	1		lens head screw with hexagon socket ISO 7380 - M6x30		01.42.08.58.65.00
10	1				01.42.08.59.62.60
11	2		lock washer S6		02.99.10.60.01.10
12	1		square nut DIN 557 M6		02.13.00.60.01.20
13	1				40.04.16.01.00.10
14	1	920404	foldable bail tube incl tube end plug		92.04.04.00.00.10
15	2	620105	plug for profile tube		62.01.05.00.00.74
16	1	920405	tube adapter, weldment, right incl. mounting set		92.07.01.01.02.10
o.B.	1	920406	tube adapter, weldment, left incl. mounting set		92.07.01.01.01.10
o.B.	2	920407	tube adapter, weldment incl. mounting set		92.04.05.01.00.10
17-20	2	92040599	mounting set tube intake		XXXXXXXXXXXX
17	1		7-star knob ø32 - M8x15 external thread, black		04.05.47.14.15.40
18	2		lens head screw with hexagon socket ISO 7380 - M5x20		01.42.07.94.65.00
19	2		lock washer S5		02.99.10.50.01.10
20	3		washer DIN 125 - A 5,3		02.61.05.31.01.20

Therapy table, version 2, fixed to the arm pad



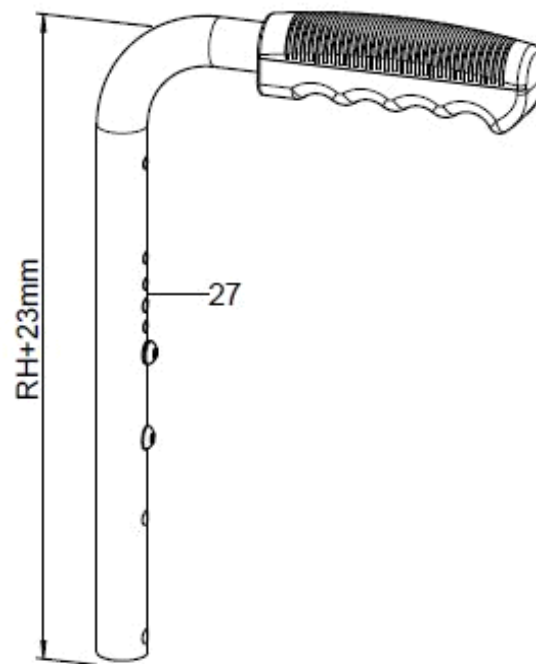
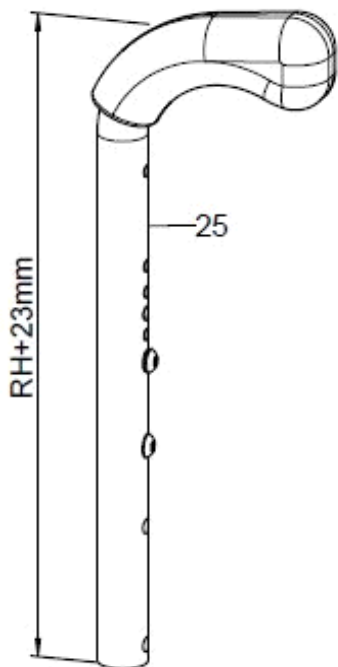
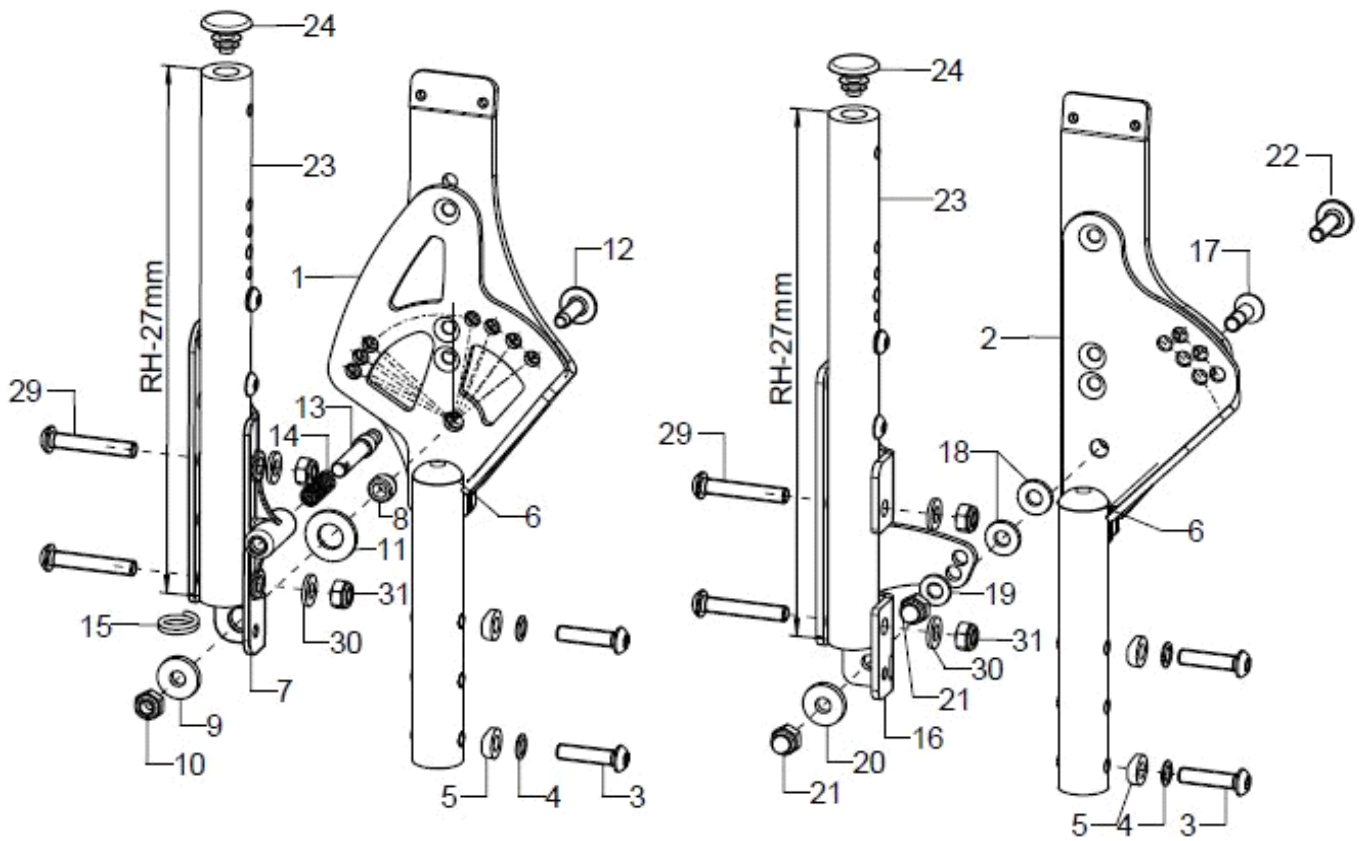
pcs.	Q/1	item no.	Product name:	Variant:	drawing no.
1-15	1	9207XX	therapy table version 2 on arm pad complete		XXXXXXXXXXXX
1	1	920030	therapy table size 1 (B45xT36) polycarbonate		92.00.10.01.00.51
o.B.	1	920031	therapy table size 2 (B59xT45) polycarbonate		92.00.11.01.00.51
o.B.	1	920032	therapy table size 3 (B70xT50) polycarbonate		92.00.12.01.00.51
o.B.	1	920033	therapy table size 1 (B50xT40) wood		92.00.13.01.00.10
o.B.	1	920034	therapy table size 2 (B60xT50) wood		92.00.14.01.00.10
2-15		9207	mounting set for therapy table version 2 on arm rest		
2	4	920705	plugable supporting frame 15x61x120		92.07.05.01.00.51
3-4	1	92070599	mounting set support bracket		XXXXXXXXXXXX
3	4		counter sunk screw with hexagon socket DIN 7991 M5x20		01.65.07.94.05.00
4	4		weld nut C- M5x7,5		02.49.33.03.00.10
5	1	920702	holder tube 20x3x400 incl. mounting set		92.07.02.02.00.29
6	1	920704	holder tube 20x3x450 incl. mounting set		92.07.02.04.00.29
7-9	2				XXXXXXXXXXXX
7	2		plugs for tube ø20x1-2, black		04.63.10.20.00.10
8	2		lens head screw with hexagon socket ISO 7380 - M5x30		01.42.07.98.65.00
9	2		lock washer S5		02.99.10.50.01.10
10	1	920703	tube adapter, weldment, left incl. mounting set		92.07.01.01.01.10
11	1	920701	tube adapter, weldment, right incl. mounting set		92.07.01.01.02.10
o.B.	2	920407	tube adapter, weldment incl. mounting set		92.04.05.01.00.10
12-15	2	92040599	mounting set tube intake		XXXXXXXXXXXX
12	1		7-star knob ø32 - M8x15 external thread, black		04.05.47.14.15.40
13	2		lens head screw with hexagon socket ISO 7380 - M5x20		01.42.07.94.65.00
14	2		lock washer S5		02.99.10.50.01.10
15	3		washer DIN 125 - A 5,3		02.61.05.31.01.20

Back tube standard



pcs.	Q/1	item no.	Product name:	Variant:	drawing no.
1-2	2	623705XX			62.37.08.01.00.00
o.B.	2	623707XX			62.37.05.02.00.00
2	1				04.63.10.20.01.10
3	2	623806XX			62.37.08.02.00.00
o.B.	2	623807XX			62.37.06.04.00.00
5	2	623706XX			62.37.08.03.00.00
o.B.	2	623708XX			62.37.06.03.00.00
7-9	2	62370099	mounting set back tube		XXXXXXXXXXXX
7	2		lens head screw with hexagon socket ISO 7380 - M6x25		01.42.08.56.65.00
8	2		lock washer S6		02.99.10.60.01.10
9	2		saddle washer $\varnothing 12/6 \times 2,5$		35.04.16.01.00.10

Back, adjustable in angle

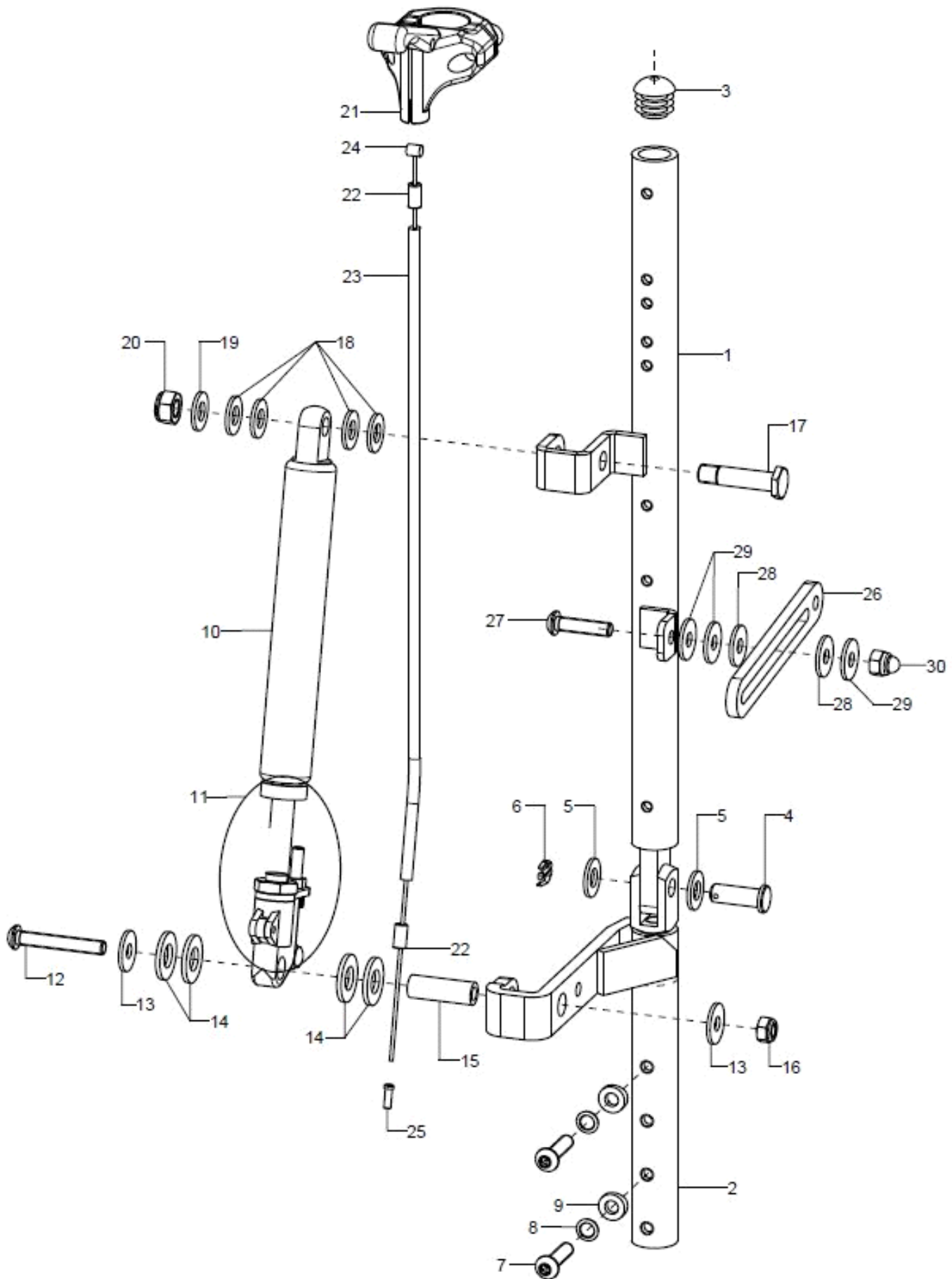




pcs.	Q/1	item no.	Product name:	Variant:	drawing no.
1a	1	62370202	back angle adjustment, right		61.09.01.04.02.69
o.B.	1	62370201	back angle adjustment, left		61.09.01.04.01.69
1b	1	61110202			61.11.02.00.02.75
o.B.	1	61110201			61.11.02.00.01.75
2a	1	61110102	angle adjustment, right		61.11.01.00.02.74
o.B.	1	61110101	angle adjustment, left		61.11.01.00.01.74
2b	1	61110104			61.11.01.00.02.75
o.B.	1	61110103			61.11.01.00.01.75
3-6	2	62370299	mounting set back angle adjustment		XXXXXXXXXXXX
3	2		lens head screw with hexagon socket ISO 7380 - M6x25		01.42.08.56.65.00
4	2		lock washer S6		02.99.10.60.01.10
5	2		saddle washer $\varnothing 12/6 \times 2,5$		35.04.16.01.00.10
6	1		plugs for tube $\varnothing 18 \times 1-2$, black		04.63.10.18.00.10
7-12	1	62370204	U-part 137 mm, right		61.09.05.01.02.00
o.B.	1	62370203	U-part 137 mm, left		61.09.05.01.01.00
8-12	2	62370298	mounting set U-part 137 mm		XXXXXXXXXXXX
8	1				61.03.02.01.00.18
o.B.	1				02.68.10.00.50.30
o.B.	1				02.68.10.00.50.30
9	1		washer DIN 7349 - 6,4		02.77.06.53.00.20
10	1		hexagon nut self-locking low form DIN 985 - M6		02.32.00.60.01.20
11	1		washer DIN 125 - A 10,5 - PA black		02.61.10.52.01.71
12	1				01.67.08.54.60.84
o.B.	1		lens head screw with hexagon socket M6x20		01.43.08.54.65.00
13-15	2	610109	locking bolt incl. mounting set (spring and ring)		61.01.02.04.00.24
14	2		pressure spring DIN 2098 0,7x7,65/9,05x21		04.21.00.80.21.00
15	2		wire form ring 2x16		04.29.04.42.20.00
o.B.	1	61130601			61.13.06.01.00.83
16	1	61110302	U-part for angle adjustment, right		61.11.01.03.02.74
o.B.	1	61110301	U-part for angle adjustment, left		61.11.01.03.01.74
17-22	2	61110399	mounting set U-part for angle adjustment		XXXXXXXXXXXX
17	1		counter sunk screw with hexagon socket DIN 7991 M6x20		01.65.08.54.02.40
18	2		washer reinforced $\varnothing 14/6,2 \times 2$		58.30.15.01.00.24
19	1		washer DIN 125 - A 6,4		02.61.06.41.41.20
20	1		washer DIN 7349 - 6,4		02.77.06.53.00.20
21	2		hexagon cap nut low form with clamp DIN 986 - M6		02.33.00.60.11.20
22	1				01.67.08.54.60.84
o.B.	1		lens head screw with hexagon socket M6x20		01.43.08.54.65.00
23-24	2	623302XX			62.33.08.01.00.00
o.B.	2	623304XX			62.33.02.02.00.00
24	2				04.63.10.20.01.10
25	2	623403XX			62.33.08.02.00.00
o.B.	2	623404XX			62.33.03.03.00.00
27	2	623303XX			62.33.08.03.00.00
o.B.	2	623305XX			62.33.03.02.00.00
29-31	2	62330099	mounting set back tube		XXXXXXXXXXXX
29	2		lens head screw with hexagon socket ISO 7380 - M6x35		01.42.08.59.65.00
30	2		washer DIN 125 - A 6,4		02.61.06.41.41.20
31	2		hexagon nut self-locking low form DIN 985 - M6		02.32.00.60.01.20



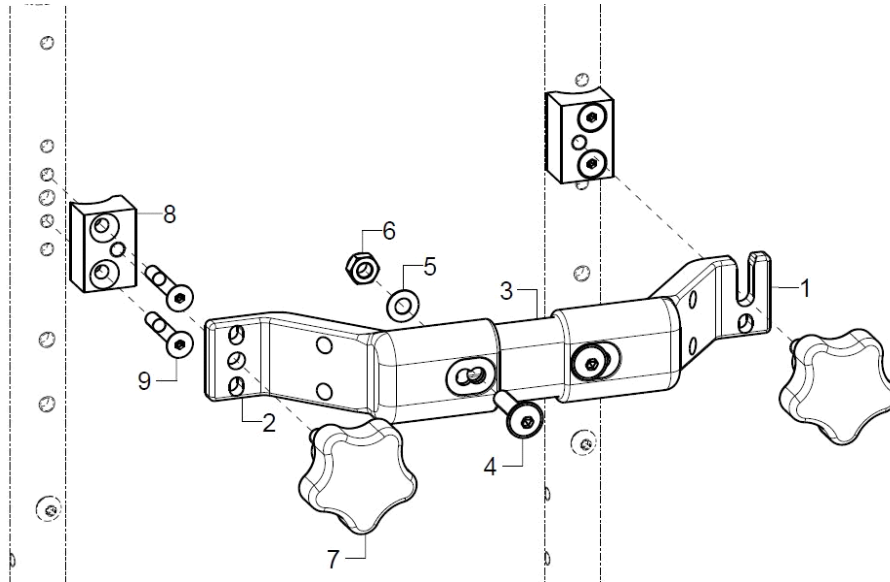
Back with gas pressure spring adjustment





pcs.	Q/1	item no.	Product name:	Variant:	drawing no.
1-30	1	6107			
1+3-6	1	6107XX02			61.07.06.02.XX.00
o.B.	1	6107XX01			61.07.06.01.XX.00
2	1P	610710			61.07.10.01.00.00
3	1		plugs for tube ø18x1-2, black		04.63.10.18.00.10
4	1				03.56.08.19.51.00
5	2		washer DIN 125 - A 8,4		02.61.08.41.41.20
6	1				03.46.02.20.01.00
7-9	2	62370299	mounting set back angle adjustment		XXXXXXXXXXXX
7	2		lens head screw with hexagon socket ISO 7380 - M6x25		01.42.08.56.65.00
8	2		lock washer S6		02.99.10.60.01.10
9	2		saddle washer ø12/6x2,5		35.04.16.01.00.10
10	2	190505			04.27.04.10.00.50
o.B.	2	190507	gas pressure spring 200/40 complete with release knob		04.27.04.20.00.60
11	2	190521	gas pressure spring release knob		04.27.00.99.81.00
12-16	2	19050599			
12	1		lens head screw with hexagon socket ISO 7380 - M6x40		01.42.08.60.65.00
13	2		washer DIN 9021 -6,4		02.79.06.41.60.20
14	3		washer DIN 125 - A 10,5 - PA black		02.61.10.52.01.71
15	1				62.36.01.07.00.10
16	1		hexagon nut self-locking low form DIN 985 - M6		02.32.00.60.01.20
17-20	1	190503	fitted bolt M8x35 SW13		19.05.03.10.00.28
18	4		washer DIN 125 - A 8,4 - PA black		02.61.08.41.61.71
19	1		washer DIN 125 - A 8,4		02.61.08.41.41.20
20	1		hexagon nut self-locking low form DIN 985 - M8		02.32.00.80.01.20
21-25	1	190512	gas pressure spring release incl. mounting set		19.05.12.99.00.10
21	1	190513	hand release lever for gas pressure spring, not lockable		04.54.92.12.20.10
22	1	352412	end bush metal ø5		04.54.91.50.10.41
23	1	352013	outer shell for Bowden cable black 150mm		04.54.91.21.53.00
24	1	190517	inner cable for gas pressure spring 1.3x2000		04.54.91.11.31.30
25	1	352005	end cap for inner Bowden cable ø1-1,5 mm		04.54.91.50.10.40
26-30	2	610703			61.07.03.01.00.10
27	1		lens head screw with hexagon socket ISO 7380 - M6x25		01.42.08.56.65.00
28	2		washer DIN 9021- 6,4- PA		02.79.06.41.60.70
29	3		washer DIN 9021 -6,4		02.79.06.41.60.20
30	1		hexagon nut DIN 934 - M6		02.19.00.60.01.20

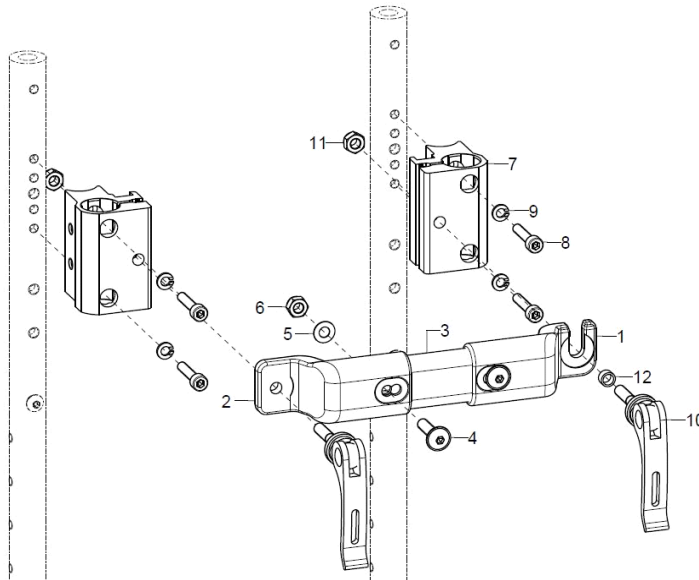
stabilizer bar for standard push handles



pcs.	Q/1	item no.	Product name:	Variant:	drawing no.
1-6		64090201			
1	1	64090102			64.09.01.02.00.00
2	1	64090101			64.09.01.01.00.00
3-6	1	64090110			64.09.01.07.00.00
4	2		lens head screw with hexagon socket M6x25		01.43.08.56.65.00
5	2		fitted washer DIN 988 - 6x12x0,5 - A2		02.68.06.00.50.30
6	2		hexagon nut self-locking low form DIN 985 - M6		02.32.00.60.01.20
7	2				64.01.02.05.99.00
8+9	2	640701	distance for stabilizer bar incl. mounting screw		64.07.10.01.00.74
9	2		counter sunk screw with hexagon socket DIN 7991 M5x30		01.65.07.98.05.00

SB	L Stabilisierungsrohr	
	Rücken winkelverst.	Rücken Standard
30	155	175
32	175	195
34	195	215
36	215	235
38	235	255
40	255	275
42	275	295
44	295	315
46	315	335
48	335	355
50	355	375

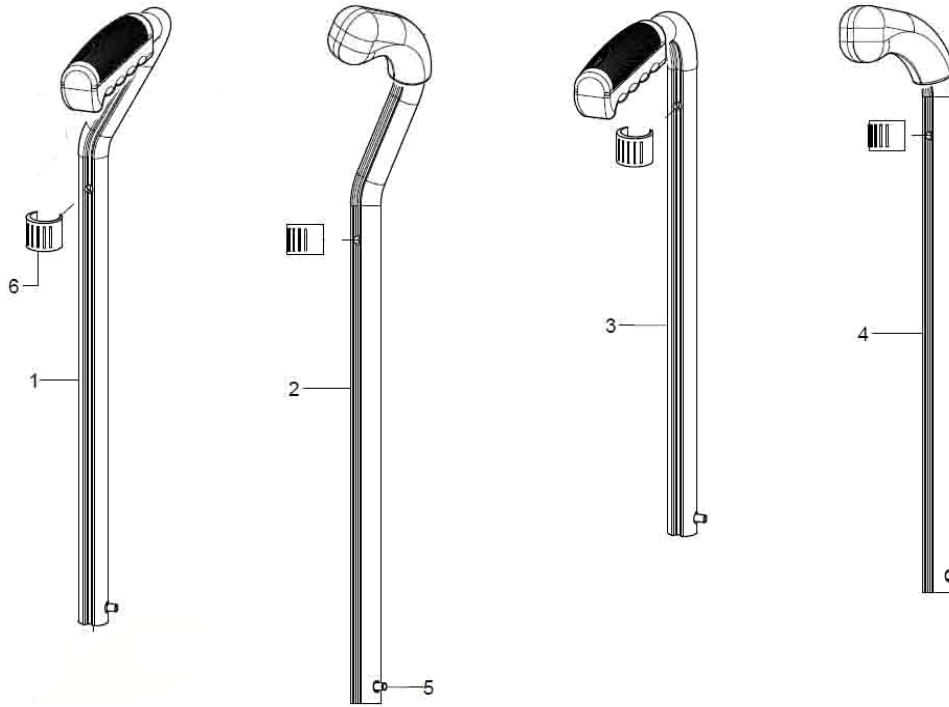
stabilizer bar for extendable push handles



pcs.	Q/1	item no.	Product name:	Variant:	drawing no.
1-6	1	64090202			
1	1	64090104			
2	1	64090103			64.09.01.03.00.00
3	1	64090110			64.09.01.07.00.00
4	2		lens head screw with hexagon socket M6x25		01.43.08.56.65.00
5	2		fitted washer DIN 988 - 6x12x0,5 - A2		02.68.06.00.50.30
6	2		hexagon nut self-locking low form DIN 985 - M6		02.32.00.60.01.20
7-12	2	650051	push handle clamp holder 38x42x58, incl. eccentric clamp and mounting set		65.00.51.01.00.10
8	2		cylinder screw DIN 912 M5x25		01.22.07.96.62.40
9	2		spring ring DIN 127 - A 5		02.85.30.50.05.10
10	1	652225			04.13.40.60.35.10
11	1		hexagon nut self-locking low form DIN 985 - M6		02.32.00.60.01.20
12	1				45.25.06.11.00.75

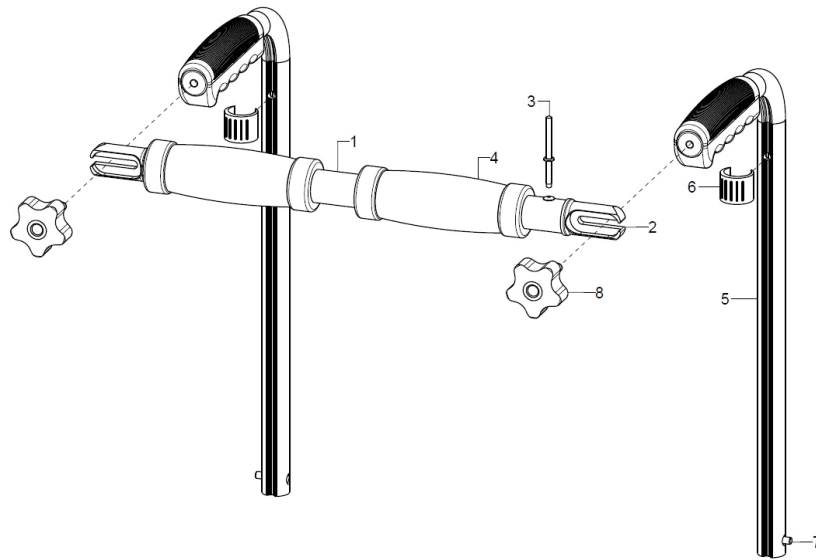
SB	L Stabilisierungsrohr
30	175
32	195
34	215
36	235
38	255
40	275
42	295
44	315
46	335
48	355
50	375

Push handles



pcs.	Q/1	item no.	Product name:	Variant:	drawing no.
1+5+6	1	650532	push handle 15 cm, cranked, extendable, right complete		65.05.30.01.06.28
o.B.	1	650531	push handle 15 cm, cranked, extendable, left complete		65.05.30.01.05.28
o.B.	1	650632	push handle 25 cm, cranked, extendable, right complete		65.06.30.01.06.28
o.B.	1	650631	push handle 25 cm, cranked, extendable, left complete		65.06.30.01.05.28
2+5+6	1	650552			65.05.50.01.02.00
o.B.	1	650551			65.05.50.01.01.00
o.B.	1	650554			65.05.50.02.02.00
o.B.	1	650553			65.05.50.02.01.00
3+5+6	2	650130	push handle 15 cm, extendable straight, complete		65.01.30.01.00.10
o.B.	2	650230	push handle 25 cm, straight, extendable, complete		65.02.30.01.00.10
4+5+6	2	650251			65.02.50.01.00.00
o.B.	2	650250			65.02.50.02.00.00
5	2	650160	locking unit for push handles		65.01.30.03.00.10
6	2	046350200010	clamp conductor black, ø 18-20		04.63.50.20.00.10

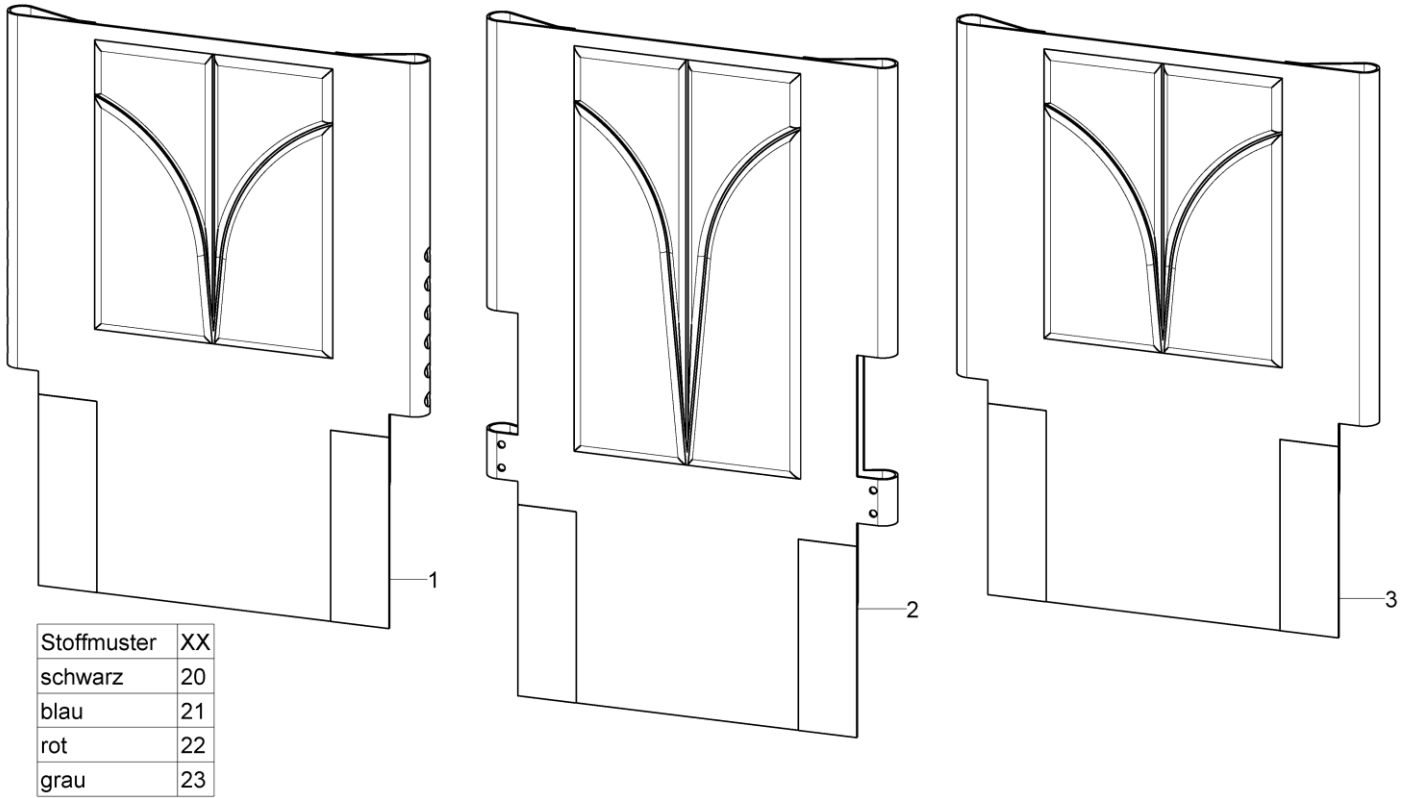
Push bow handle



pcs.	Q/1	item no.	Product name:	Variant:	drawing no.
1-4	1	65500902			
1	1				65.50.09.02.00.00
2+3	2	65500901			65.50.09.01.00.00
3	1		blind rivet F4x18 Al/St		03.64.00.40.18.60
4	2	655004	handle cover 125 mm		04.65.18.12.00.10
o.B.	2	65500915			65.50.09.15.00.00
5-7	2	650140			
o.B.	2	650240			
altern.	1	650542			
o.B.	1	650541			
altern.	1	650642			
o.B.	1	650641			
6	1	046350200010	clamp conductor black, \varnothing 18-20		04.63.50.20.00.10
7	1	650160	locking unit for push handles		65.01.30.03.00.10
6	2	65500904			65.50.09.04.00.00

gerade Schiebegriffe	<ul style="list-style-type: none"> - Griff Moosgummi 9 cm von SB30-34 cm - Griff Moosgummi 12 cm ab SB36 cm
gekröpfte Schiebegriffe	<ul style="list-style-type: none"> - Griff Moosgummi 12 cm

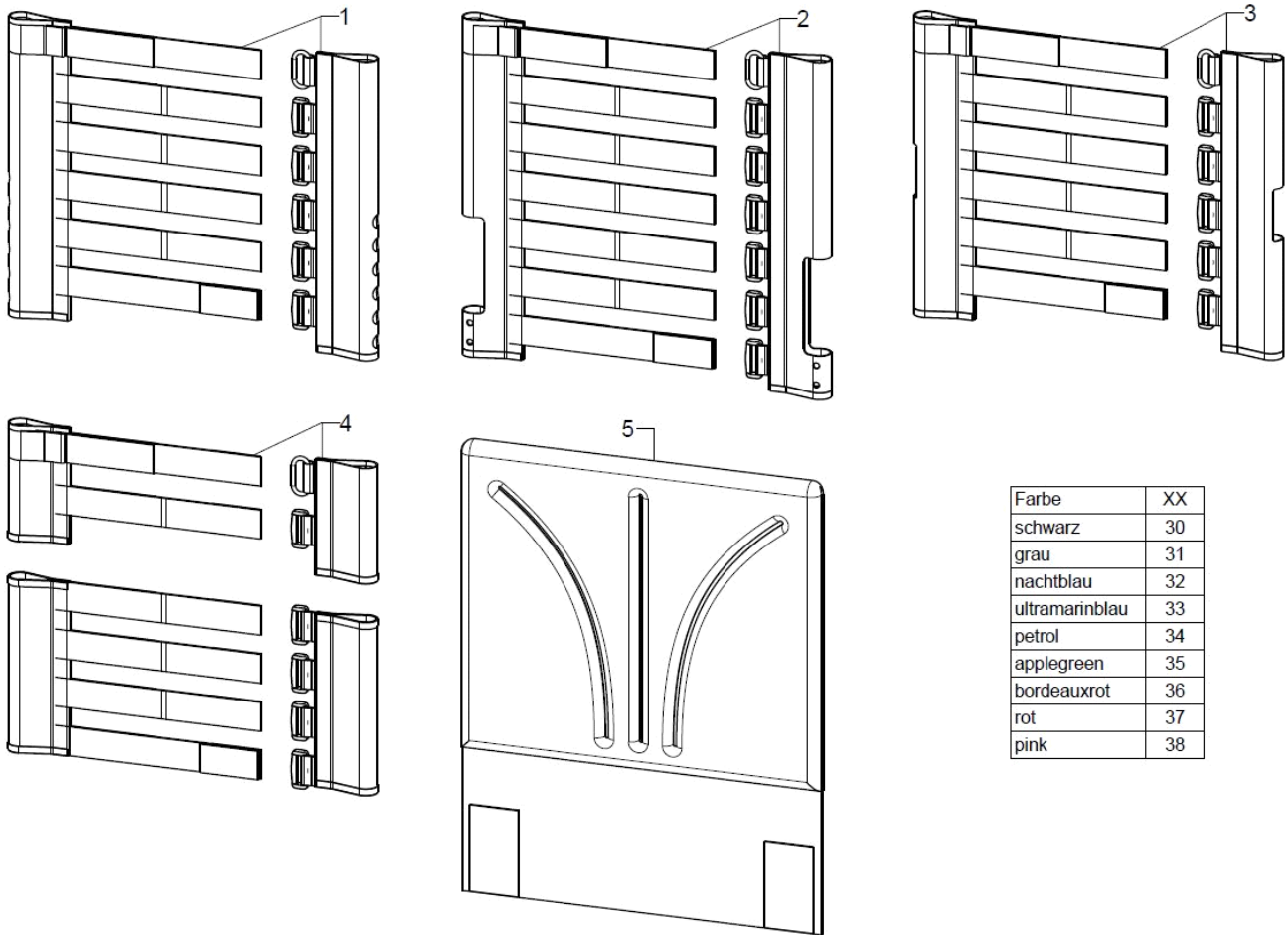
Back cover standard



pcs.	Q/1	item no.	Product name:	Variant:	drawing no.
1	1	671102XX			XX.XX.XX.XX.XX.XX
2	1	671104XX			XX.XX.XX.XX.XX.XX
3	1	671103XX			XX.XX.XX.XX.XX.XX
o.B.	2		counter sunk screw with hexogon socket DIN 7991 M5x16		01.65.07.92.05.00
o.B.	2		rosette ø13/6x2, black		04.14.70.60.02.00

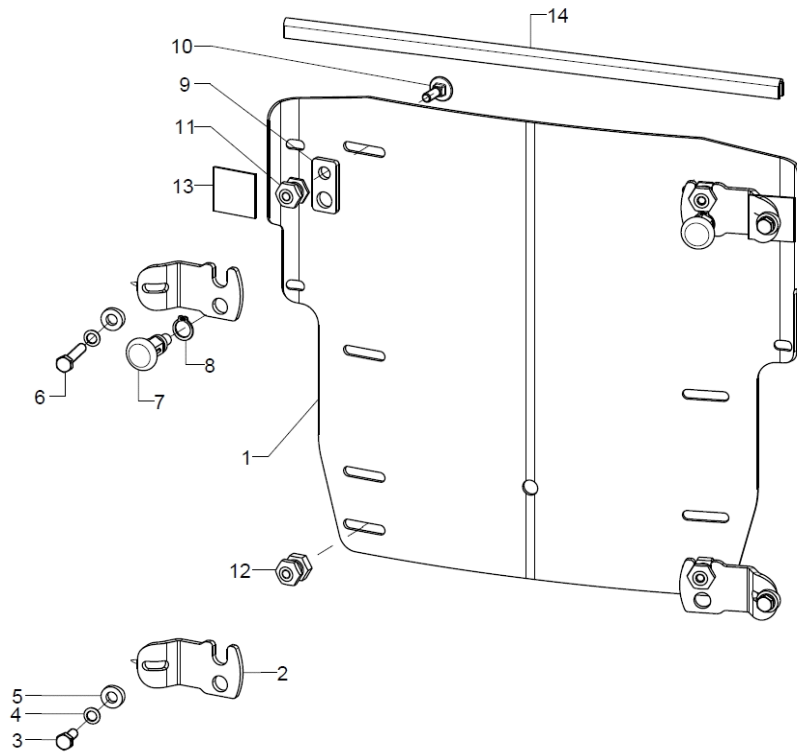
Back cover adjustable

All fabric samples can be viewed at www.sorgrollstuhltechnik.de.



pcs.	Q/1	item no.	Product name:	Variant:	drawing no.
1+5	1	670102XX			XX.XX.XX.XX.XX.XX
2+5	1	670103XX			XX.XX.XX.XX.XX.XX
3+5	1	610104XX			
4+5	1	610105XX			XX.XX.XX.XX.XX.XX
1	1				XX.XX.XX.XX.XX.XX
2	1	670500	back cover adjustable		XXXXXXXXXXXX
3	1				XX.XX.XX.XX.XX.XX
4	1				XX.XX.XX.XX.XX.XX
5	1	670599	back cover with cushion 2 cm		XX.XX.XX.XX.XX.XX
o.B.	2		counter sunk screw with hexogon socket DIN 7991 M5x16		01.65.07.92.05.00
o.B.	2		rosette ø13/6x2, black		04.14.70.60.02.00

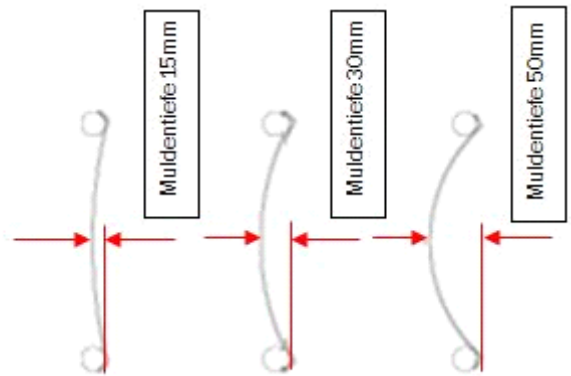
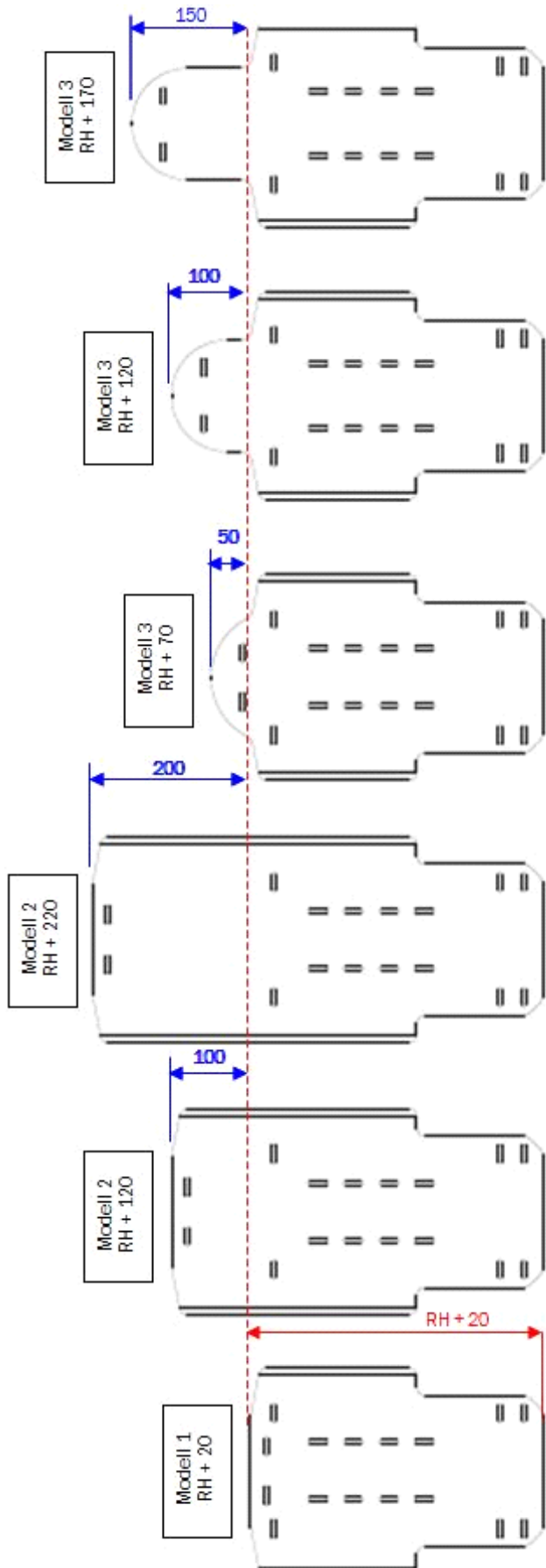
Curved back plate



pcs.	Q/1	item no.	Product name:	Variant:	drawing no.
19	1	6930XX			69.30.XX.00.00.00
o.B.	1	6931XX			69.31.XX.00.00.00
o.B.	1	6932XX			69.32.XX.00.00.00
o.B.	1	6933XX			69.33.XX.00.00.00
o.B.	1	6934XX			69.34.XX.00.00.00
o.B.	1	6935XX			69.35.XX.00.00.00
o.B.	1	6950XX			69.50.XX.00.00.00
o.B.	1	6951XX			69.51.XX.00.00.00
o.B.	1	6952XX			69.52.XX.00.00.00
o.B.	1	6953XX			69.53.XX.00.00.00
o.B.	1	6954XX			69.54.XX.00.00.00
o.B.	1	6955XX			69.55.XX.00.00.00
2+4-13	1	692594			
2- 5+10+ 12	1	692595			
2	2	692500	holding plate left open for locking firm back		69.25.01.01.00.10
o.B.	2	692501	holding plate right open for locking firm back		69.25.01.01.00.10
3- 5+101 2	2	692596	mounting set for holding plate open, bottom for locking firm back		XXXXXXXXXXXX
4-11	2	692597	mounting set for holding plate open, top for locking firm back		XXXXXXXXXXXX
3	1		hexagon screw DIN 933 - M5x16		01.04.07.92.02.40
4	1		lock washer S5		02.99.10.50.01.10
5	1				40.04.16.01.00.10
6	1		hexagon screw DIN 933 - M5x25		01.04.07.96.02.40
7	1		latch ø6/M10x1x31 with lock		04.14.43.60.02.00
8	1		lock ring 10, DIN 471		03.01.01.00.93.00
9	1	692502			69.25.01.02.00.10



10	2		round-head screw DIN 6003 M5x16 - 4.6 vz	01.11.07.92.00.40
11	1	692505	upper bolt	69.25.01.03.00.10
12	1	692506	lower bolt	69.25.01.04.00.10
13	1		Velcro strap 25 mm	00.42.61.02.50.11
14	1	450030	edge protection-steel clamp band, 1-2 mm black	00.45.07.10.99.10

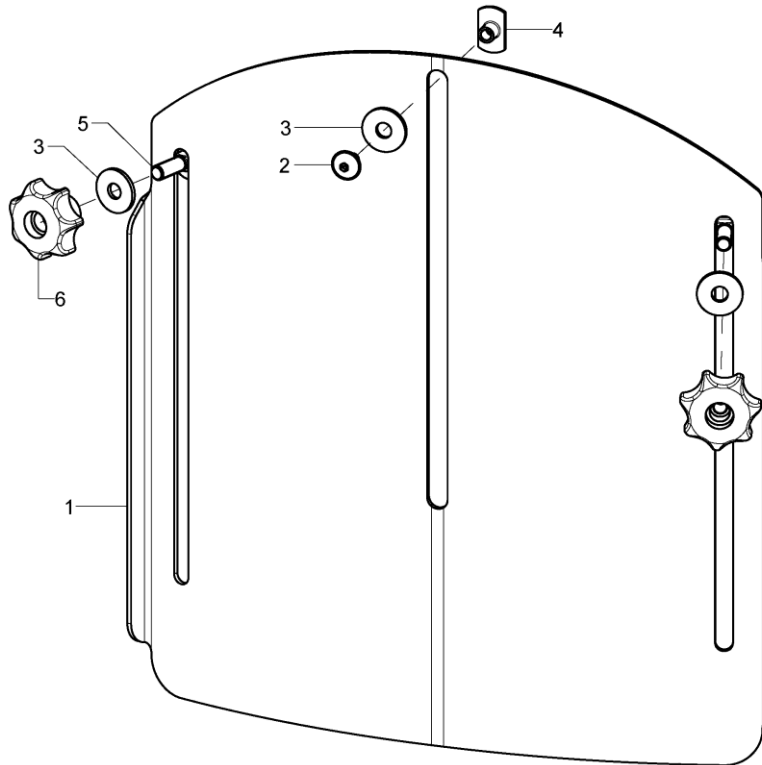


Back extension

Curved back version 1: only from BH35

Curved back versoin 3: only from BH30, only with BH+5cm

If the curved back is attached with the fitting set for solid back, a back extension is only possible from SW28.



pcs.	Q/1	item no.	Product name:	Variant:	drawing no.
1	1	686091			68.60.01.00.00.00
o.B.	1	686092			68.60.02.00.00.00
2-6	1	68607299	mounting set back extension		XXXXXXXXXXXX
2	1		lens head screw with hexagon socket M5x8		01.43.07.87.62.60
3	3		washer DIN 9021- 6,4- PA		02.79.06.41.60.70
4	1		weld nut C- M5x7,5		02.49.33.03.00.10
5	2		round-head screw DIN 6003 M6x20		01.11.08.54.00.40
6	2		7-star knob ø32 - M6 internal thread continuous, black		04.05.37.64.20.30

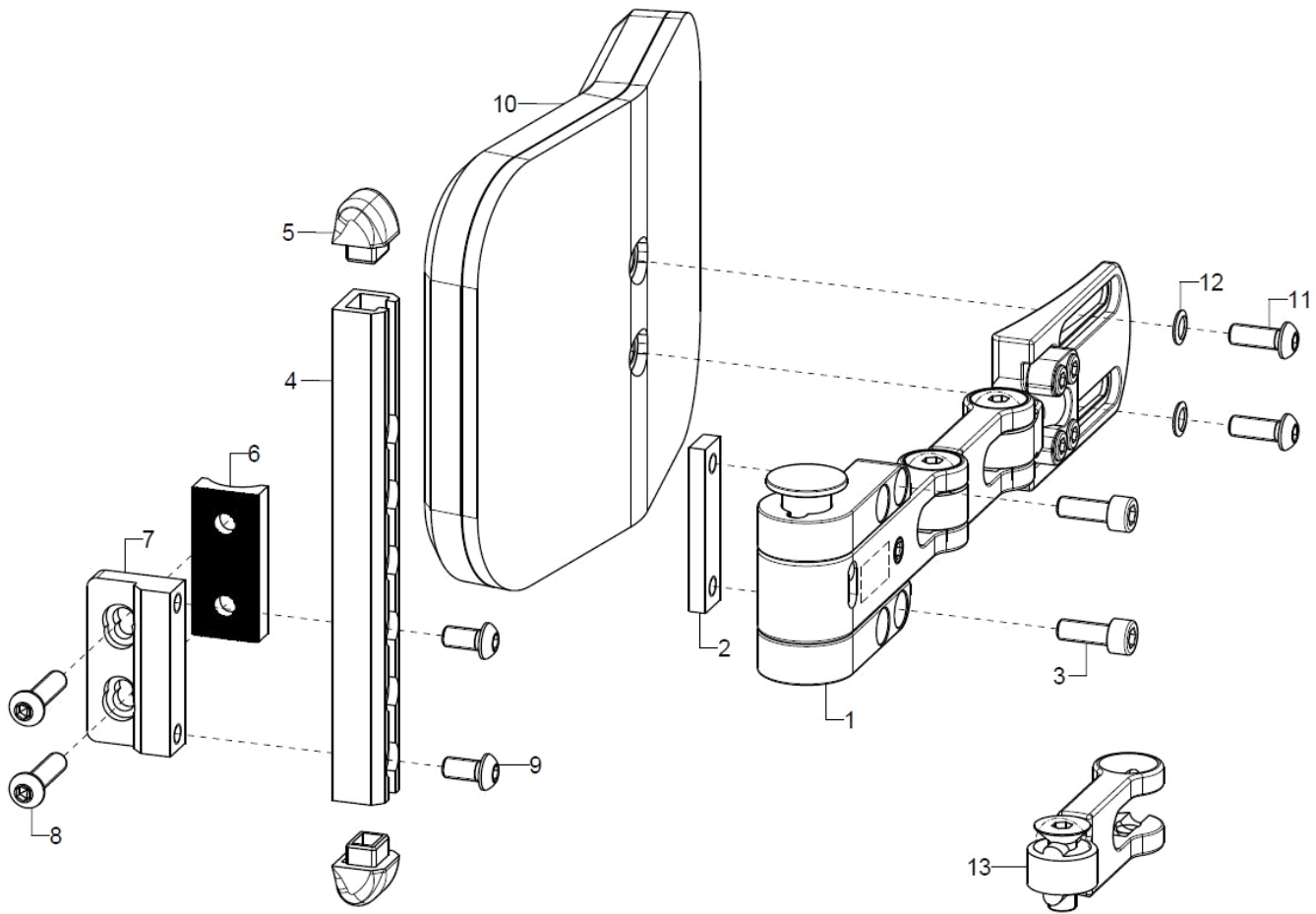
Cushion for curved back plate

pcs.	Q/1	item no.	Product name:	Variant:	drawing no.
o.B.	1	8517	back cushion 3cm with zipper		XXXXXXXXXXXXX
o.B.	1	8517XX	cover for back cushion		XXXXXXXXXXXXX
o.B.	1	891104	anatomical back (3cm) incl. changeable cover		
o.B.	1	891106	anatomical back (5cm) incl. changeable cover		
o.B.	1	8911XX	cover for anatomical back		XXXXXXXXXXXXX
o.B.	1	68607201	head rest pad incl. cover for back extension		

Stoffmuster	XX
schwarz	30
grau	31
nachtblau	32
ultramarinblau	33
petrol	34
applegreen	35
bordeauxrot	36
rot	37
pink	38

Side truss pads from Back height 35cm

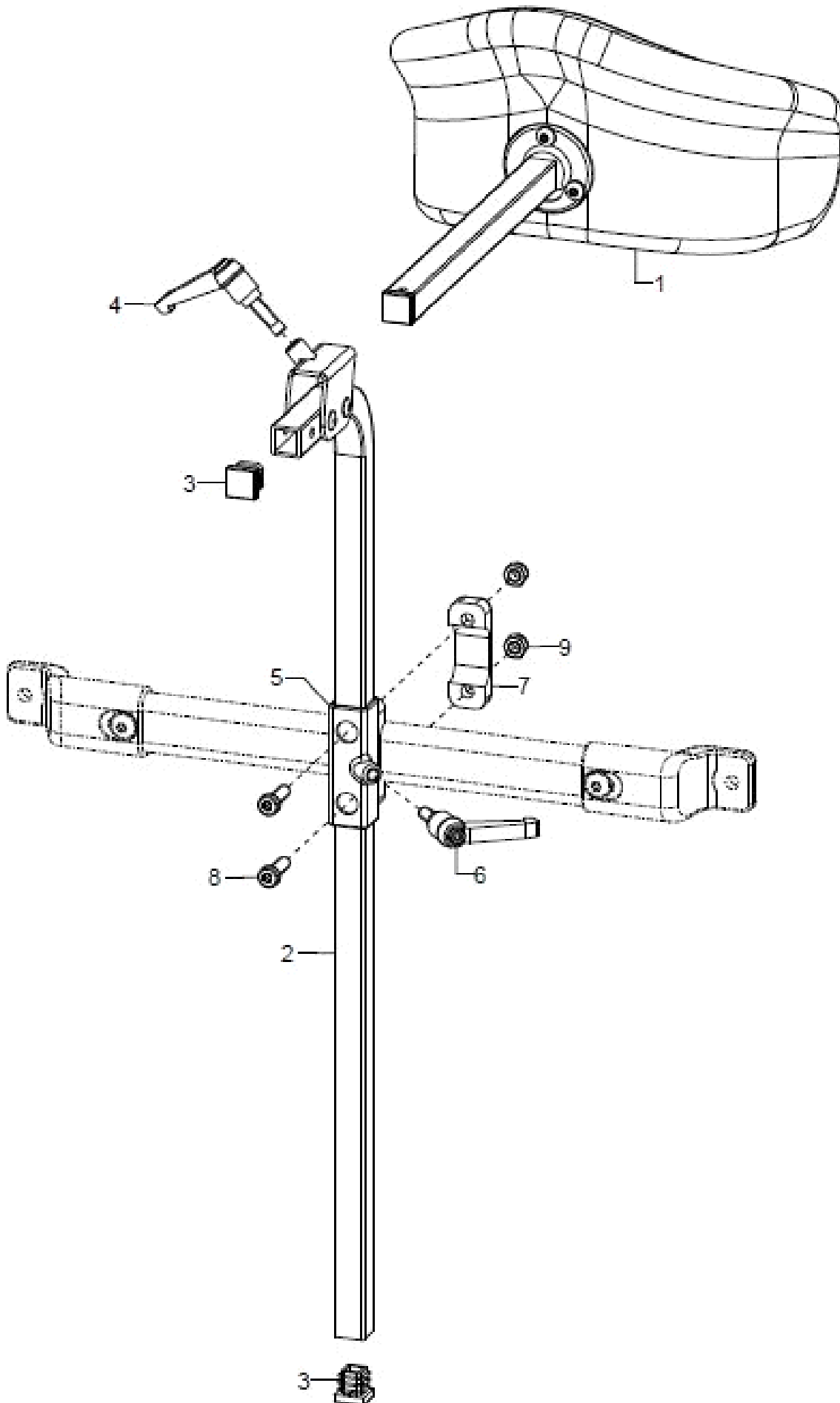
SORG truss pad system not compatible with truss pad system from Stealth. Applies to deliveries before June 2016.



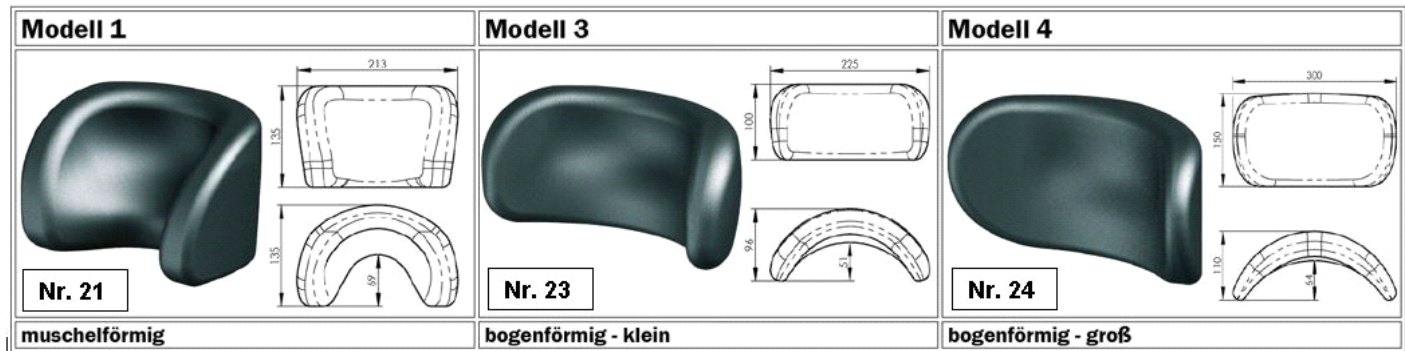
pcs.	Q/1	item no.	Product name:	Variant:	drawing no.
1	1	68590202			68.59.02.00.02.00
o.B.	1	68590201			68.59.02.00.01.00
2-9	1	68590111			68.59.01.11.90.00
2-5+9	1	68590112			XX.XX.XX.XX.XX.XX
2	1				68.59.02.12.00.00
3	2		cylinder screw DIN 912 M6x16		01.22.08.52.62.40
4-5+9	2	685811			68.59.01.20.00.00
5	2				68.59.01.20.01.00
6	1				68.57.01.05.00.00
7	1				68.57.01.03.00.00
8	2		lens head screw with hexagon socket ISO 7380 - M6x25		01.42.08.56.65.00
o.B.	2		lens head screw with hexagon socket ISO 7380 - M6x30		01.42.08.58.65.00
9	2		lens head screw with hexagon socket ISO 7380 - M6x16		01.42.08.52.65.00
o.B.	2		counter sunk screw with hexagon socket DIN 7991 M5x16		01.65.07.92.05.00
10-12	1	68590106			68.59.01.26.00.00
o.B.	1	68590204			68.59.01.23.00.00
o.B.	1	68590205			68.59.01.24.00.00
11	2		lens head screw with hexagon socket ISO 7380 - M6x16		01.42.08.52.65.00
12	2		lock washer S6		02.99.10.60.01.10
13	1	68590203			68.59.02.15.00.00
	1				
o.B.	2	68590230			68.59.02.28.01.00
o.B.	2	68590231			68.59.02.28.02.00

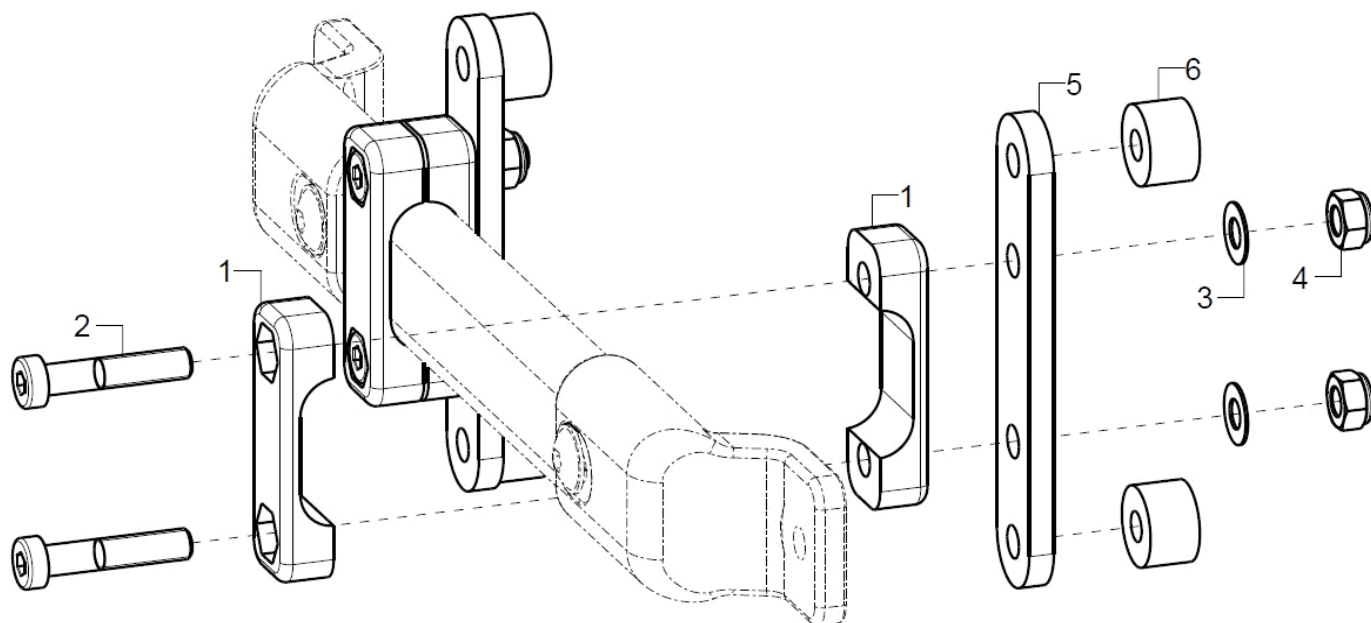


Head rest



pcs.	Q/1	item no.	Product name:	Variant:	drawing no.
1	1	686031	head rest cushion model 1, 213x145 mm shell form complete		68.60.15.99.00.10
altern.	1	686033	head rest model 3, 225x100 curved complete		68.60.16.99.00.10
altern.	1	686034	head rest model 4, 300x150 curved complete		68.60.19.99.00.10
o.B.	1	68605001			
2-4	1	68600801			68.60.08.99.01.00
o.B.	1	68600802			68.60.08.99.02.00
3	2		plugs for square tubes, black 15x15		04.63.11.15.00.10
4	1	403110	clamp lever adjustable M6x20, black		04.13.10.60.20.50
5-9	1	68600810			68.63.01.01.00.00
6	1	45320303			04.13.10.60.16.50
7	1				68.63.01.03.00.00
8	2				01.24.08.53.05.00
9	2		hexagon nut self-locking low form DIN 985 - M6		02.32.00.60.01.20

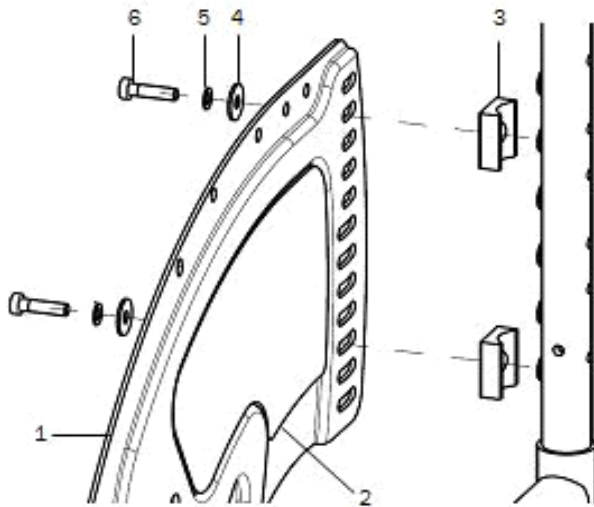




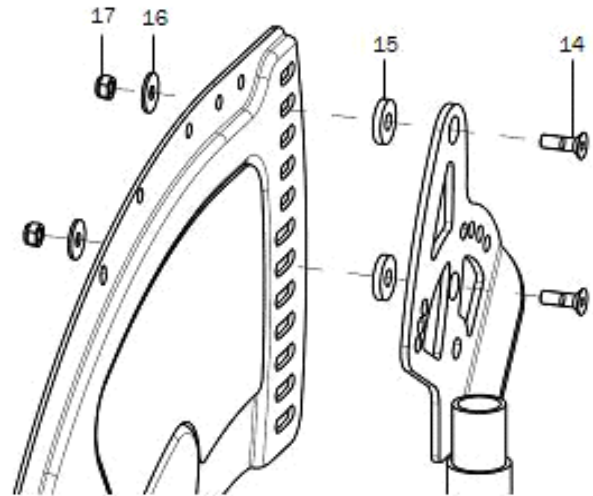
pcs.	Q/1	item no.	Product name:	Variant:	drawing no.
1-6	1/2				
1	2				68.63.01.03.00.00
2	2				01.24.08.58.05.00
3	2		fitted washer DIN 988 - 6x12x0,5 - A2		02.68.06.00.50.30
4	2		hexagon nut self-locking low form DIN 985 - M6		02.32.00.60.01.20
5	1				69.80.04.01.00.80
6	2	35310209			45.31.01.03.00.72

Side guard standard

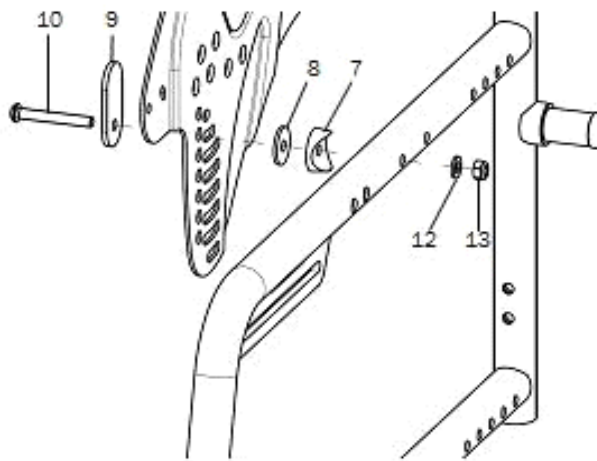
Verschraubung hinten bei Rücken Standard



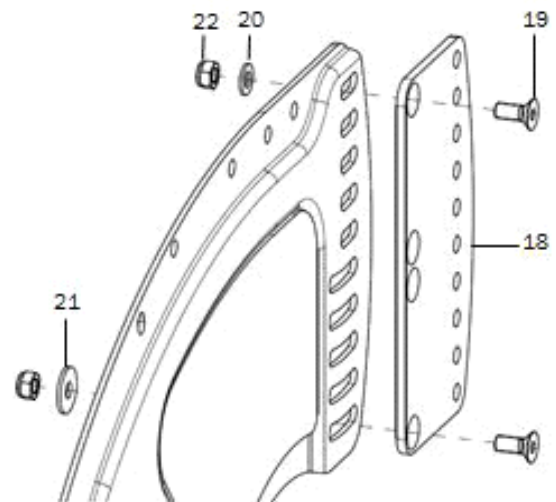
Verschraubung hinten bei Rücken winkelverstellbar



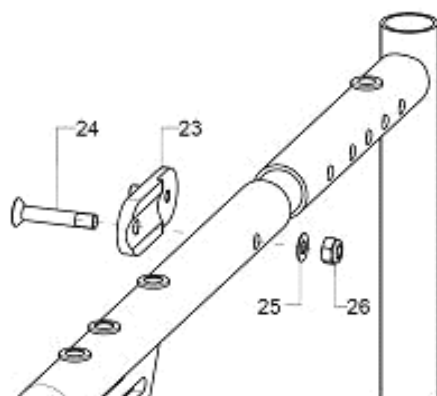
Verschraubung vorne



Seitenteilverlängerung



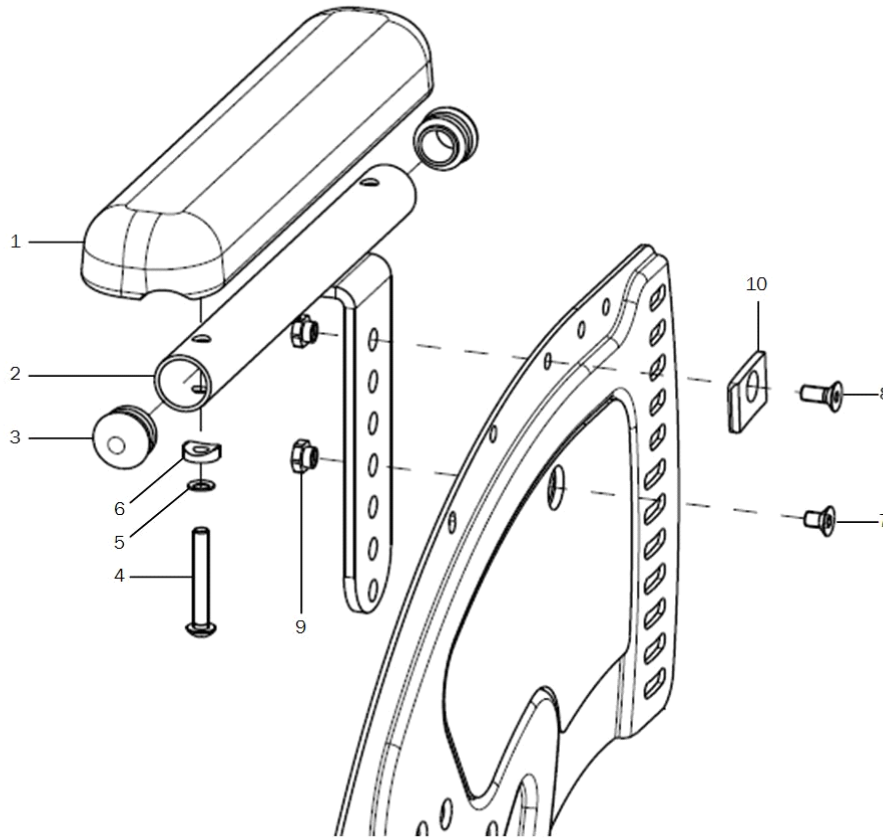
Adapter für 22° Seitenteil





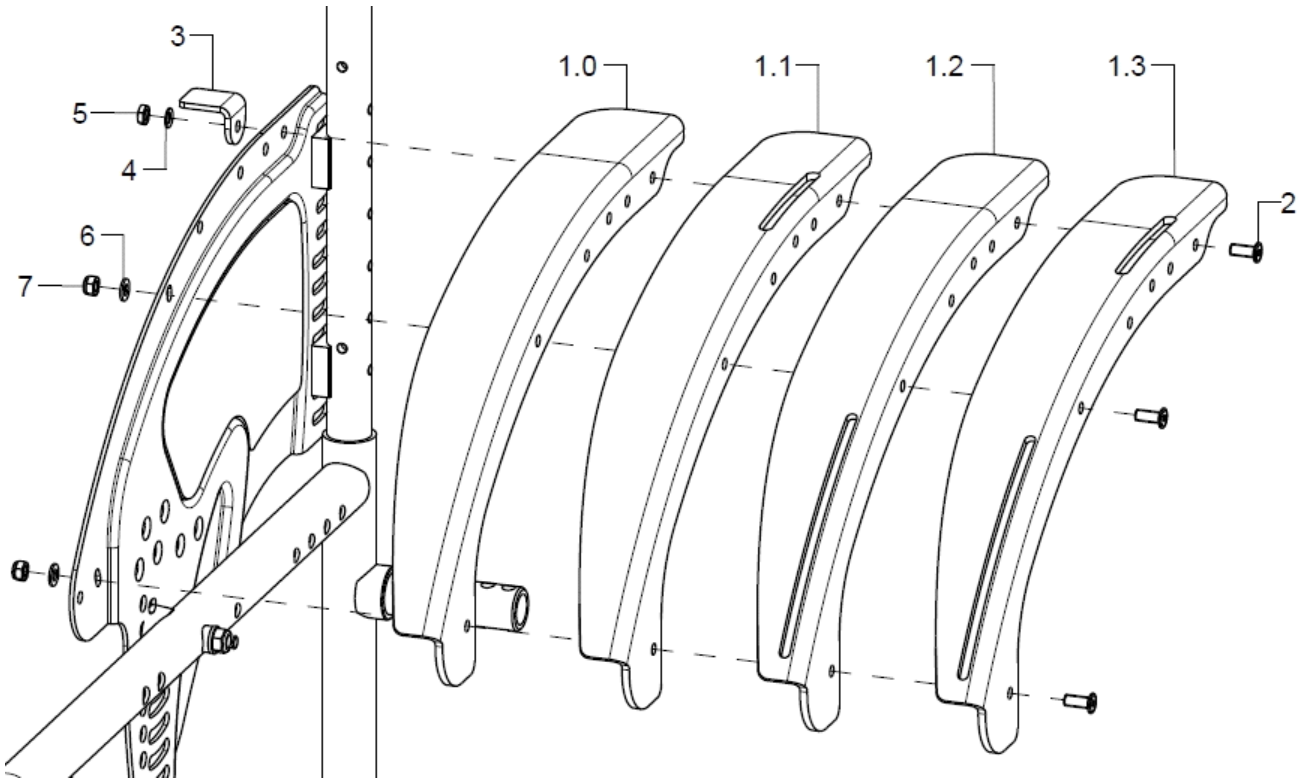
pcs.	Q/1	item no.	Product name:	Variant:	drawing no.
1	1	45252202	side guard 20" /22" right		45.25.01.01.02.74
o.B.	1	45252201	side guard 20"/ 22" left		45.25.01.01.01.74
o.B.	1	45252402	side guard 24" right		45.25.01.02.02.74
o.B.	1	45252401	side guard 24" left		45.25.01.02.01.74
o.B.	1	45252601			45.25.05.11.01.75
o.B.	1	45252602			45.25.05.11.02.75
2	1	452522	insulation pad 20"/24"		45.25.01.20.00.74
o.B.	1	452524	insulation pad 24"		45.25.01.24.00.74
3-13	2	452599	mounting set side guard, standard back		XXXXXXXXXXXXX
7-17	2	452598	mounting set side guard, back angle adjustable		XXXXXXXXXXXXX
3	2				45.17.01.06.00.69
4	2		washer DIN 9021 - M5		02.79.05.31.20.20
5	2		lock washer S5		02.99.10.50.01.10
6	2		cylinder head screw low head DIN 912 - M5x20		01.23.07.94.02.40
7	1		saddle washer black ø 24/6		04.63.39.24.06.30
8	1		washer DIN 440, 6,6x22x2		02.67.22.03.09.20
9	1	45250111			45.25.01.11.00.74
10	1		lens head screw with hexagon socket ISO 7380 - M6x45		01.42.08.61.65.00
12	1		fitted washer DIN 988 - 6x12x0,5 - A2		02.68.06.00.50.30
13	1		hexagon nut self-locking low form DIN 985 - M6		02.32.00.60.01.20
14	2		counter sunk screw with hexogon socket DIN 7991 M5x16		01.65.07.92.05.00
15	2		washer DIN 7349 - 6,4		02.77.06.53.00.20
16	2		washer DIN 9021 - M5		02.79.05.31.20.20
17	1		hexagon nut self-locking low form DIN 985 - M5		02.32.00.50.01.20
18-22	2	452502	side guard extension incl. mounting set		45.25.02.01.00.74
19	2		counter sunk screw with hexogon socket DIN 7991 M5x12		01.65.07.89.05.00
20	1		washer DIN 125 - A 5,3		02.61.05.31.01.20
21	1		washer DIN 9021 - M5		02.79.05.31.20.20
22	2		hexagon nut self-locking low form DIN 985 - M5		02.32.00.50.01.20
23-26	2	45250501			45.25.05.00.00.75
24	2		counter sunk screw with hexogon socket DIN 7991 M6x35		01.65.08.59.05.00
25	2		fitted washer DIN 988 - 6x12x0,5 - A2		02.68.06.00.50.30
26	2		hexagon nut self-locking low form DIN 985 - M6		02.32.00.60.01.20
o.B.	1	452550	widening set side guard on standard back		XXXXXXXXXXXXX
o.B.	6				45.25.01.10.00.74
o.B.	4		lens head screw with hexagon socket ISO 7380 - M5x35		01.42.07.99.65.00
o.B.	2		lens head screw with hexagon socket ISO 7380 - M6x55		01.42.08.63.65.00
o.B.	1	452551	widening set side guard on angle adjustable back		XXXXXXXXXXXXX
o.B.	6				45.25.01.10.00.74
o.B.	4		counter sunk screw with hexogon socket DIN 7991 M5x25		01.65.07.96.05.00
o.B.	2		lens head screw with hexagon socket ISO 7380 - M6x55		01.42.08.63.65.00

Arm pad for side guard standard



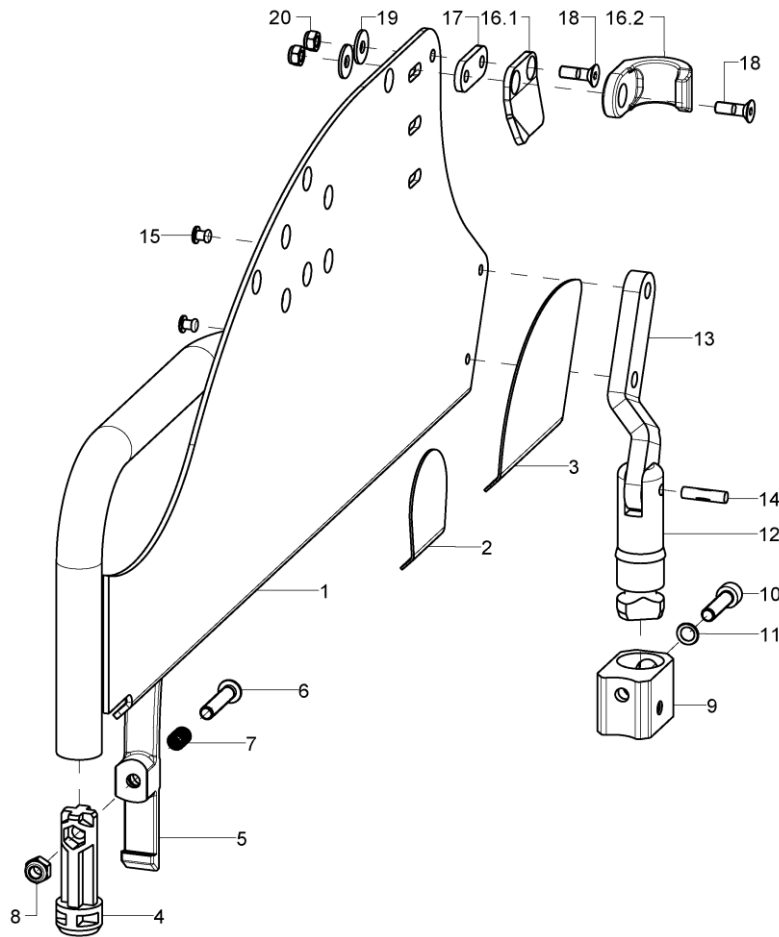
pcs.	Q/1	item no.	Product name:	Variant:	drawing no.
1-10	1 P	452600	arm pad for standard side guard, complete		XXXXXXXXXXXX
1	2	450007	arm rest, straight black 240x50x26, 2xM5x164		04.65.01.24.00.10
2-3	1P	452603	holder for arm pad incl 3		45.26.05.00.00.74
3	2		plugs for tube ø20x1-2, black		04.63.10.20.00.10
4-10	2	452699	mounting set arm pad		XXXXXXXXXXXX
4	2		lens head screw with hexagon socket ISO 7380 - M5x35		01.42.07.99.65.00
5	2		lock washer S5		02.99.10.50.01.10
6	2				40.04.16.01.00.10
7	1				01.65.07.87.05.01
8	1		counter sunk screw with hexagon socket DIN 7991 M5x12		01.65.07.89.05.00
9	2				45.25.01.13.00.74
10	1				45.25.01.12.00.74

Clothes guard



pcs.	Q/1	item no.	Product name:	Variant:	drawing no.
1	1	50240102	skirtguard 22" standard, right		50.24.01.01.02.74
o.B.	1	50240101	skirtguard 22" standard, left		50.24.01.01.01.74
altern.	1	50240202	skirtguard 24" standard, right		50.24.01.02.02.74
altern.	1	50240201	skirtguard 24" standard, left		50.24.01.02.01.74
1.1	1	50240302	skirtguard 22" for arm rest, right		50.24.01.03.02.74
o.B.	1	50240301	skirtguard 22" for arm rest, left		50.24.01.03.01.74
altern.	1	50240402	skirtguard 24" for arm rest, right		50.24.01.04.02.74
altern.	1	50240401	skirtguard 24" for arm rest, left		50.24.01.04.01.74
1.2	1	50240502	skirtguard 22" for cable brake, right		50.24.01.05.02.74
o.B.	1	50240501	skirtguard 22" for cable brake, left		50.24.01.05.01.74
altern.	1	50240602	skirtguard 24" cable brake, right		50.24.01.06.02.74
altern.	1	50240601	skirtguard 24" for cable brake, left		50.24.01.06.01.74
1.3	1	50240702	skirtguard 22" cable brake/arm rest, right		50.24.01.07.02.74
o.B.	1	50240701	skirtguard 22" cable brake/arm rest, left		50.24.01.07.01.74
altern.	1	50240802	skirtguard 24" cable brake/arm rest, right		50.24.01.08.02.74
altern.	1	50240801	skirtguard 24" cable brake/arm rest, left		50.24.01.08.01.74
2-7	2	502499	mounting set skirt guard		XXXXXXXXXXXX
2	3				01.66.07.89.95.00
3	1	50240115			50.24.01.15.00.74
4	1		lock washer S5		02.99.10.50.01.10
5	1		low hexagon nut DIN 439 - M5 - 05 vz		02.03.00.50.07.20
6	2		washer DIN 125 - A 5,3		02.61.05.31.01.20
7	2		hexagon nut self-locking low form DIN 985 - M5		02.32.00.50.01.20

Desk side guards



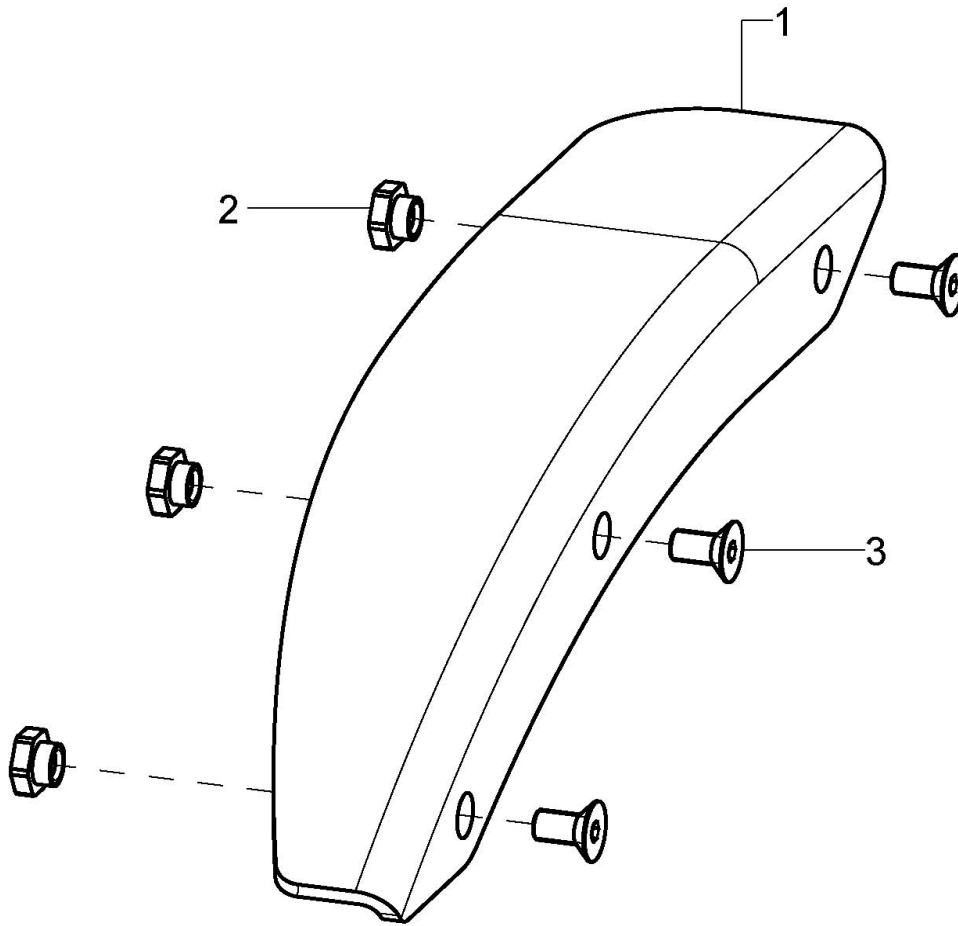
pcs.	Q/1	item no.	Product name:	Variant:	drawing no.
1	1	46100202			46.10.02.01.02.75
o.B.	1	46100201			46.10.02.01.01.75
altern.	1	46100302			46.10.03.01.02.75
o.B.	1	46100301			46.10.03.01.01.75
2	2	46100121			46.10.01.21.00.75
3	2	46100120			46.10.01.20.00.75
o.B.	1	45170202			45.17.01.05.02.69
o.B.	1	45170201			45.17.01.05.01.69
4	2	46100113			46.10.01.13.00.75
5-8	2	46100114			46.10.01.14.00.75
6	1		lens head screw with hexagon socket ISO 7380 - M6x30		01.42.08.58.65.00
7	1		pressure spring DIN 2098 0,7x7,65/9,05x21		04.21.00.80.21.00
8	1		hexagon nut self-locking low form DIN 985 - M6		02.32.00.60.01.20
9-11	2	46100117			46.10.99.17.00.75
10	1		cylinder screw DIN 912 M6x25		01.22.08.56.02.40
11	1		lock washer S6		02.99.10.60.01.10
12-15	2	46101802			46.10.01.18.00.75
13	2				46.10.01.15.00.75
14	1				03.36.05.20.00.01
15	2		blind rivet F5x10 A2/A2		03.64.00.50.10.30
16.1+1 8-20	1	46101602			46.10.01.16.02.75
o.B.	1	46101601			46.10.01.16.01.75



16.2+1 2 8-20	45260110		45.26.01.10.00.75
17	2		46.10.01.19.00.75
18	2(1)	counter sunk screw with hexogon socket DIN 7991 M5x16	01.65.07.92.05.00
19	2(1)	washer DIN 9021 - M5	02.79.05.31.20.20
20	2(1)	hexagon nut self-locking low form DIN 985 - M5	02.32.00.50.01.20

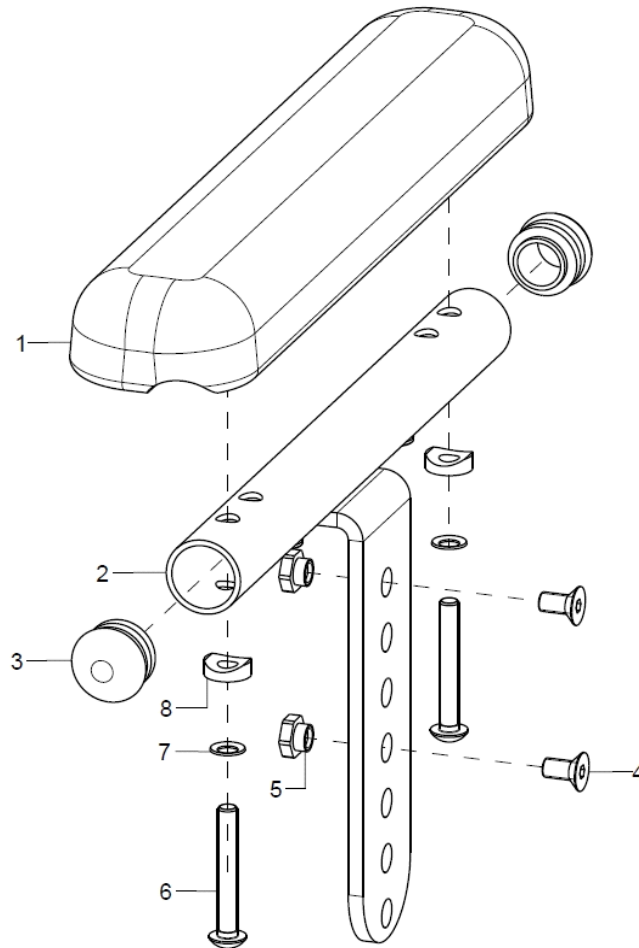
Clothes guard desk side guards

(for Desk side guard and desk side guard at gas pressure spring back)



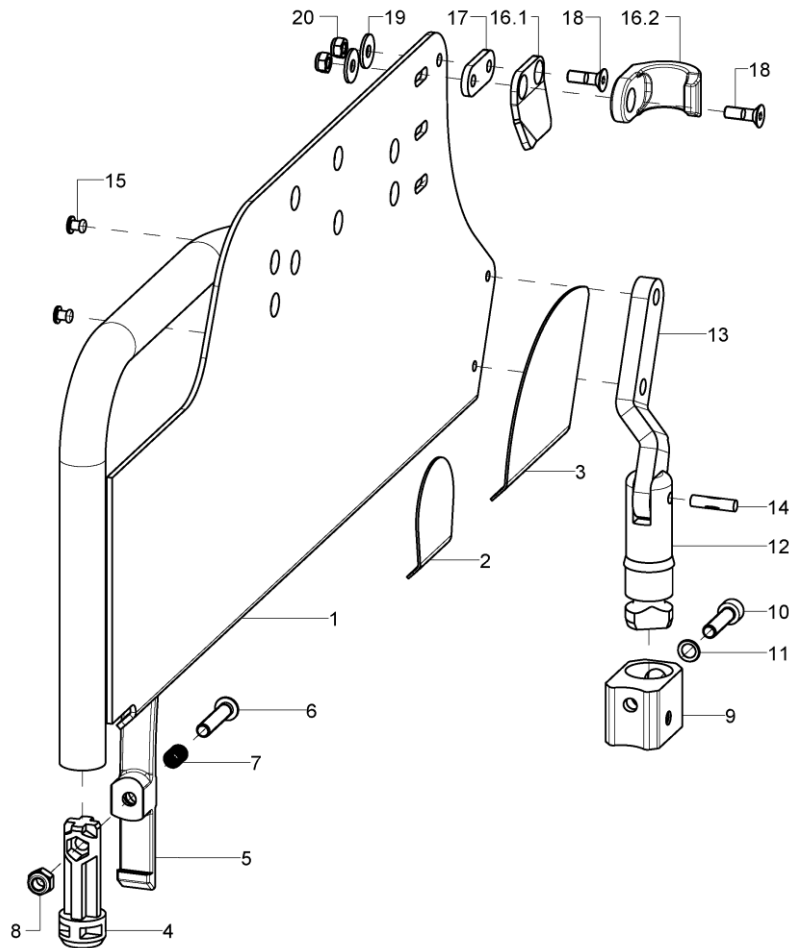
pcs.	Q/1	item no.	Product name:	Variant:	drawing no.
1-3	1	46100102			46.10.01.24.02.75
o.B.	1	46100101			46.10.01.24.01.75
2	3				45.25.01.13.00.74
3	3		counter sunk screw with hexagon socket DIN 7991 M5x10		01.65.07.88.05.00

Arm pad for desk side guard



pcs.	Q/1	item no.	Product name:	Variant:	drawing no.
1-8	1	461005			
1	1	450007	arm rest, straight black 240x50x26, 2xM5x164		04.65.01.24.00.10
2-5	1	461002			45.25.03.00.00.74
3	2	620002	plug for rod $\varnothing 20 \times 1-2$, black		04.63.10.20.00.10
4	2				01.65.07.87.05.01
5	2				45.25.01.13.00.74
6-8	1	452697			
6	2		lens head screw with hexagon socket ISO 7380 - M5x35		01.42.07.99.65.00
7	2		lock washer S5		02.99.10.50.01.10
8	2				40.04.16.01.00.10

Side guard long

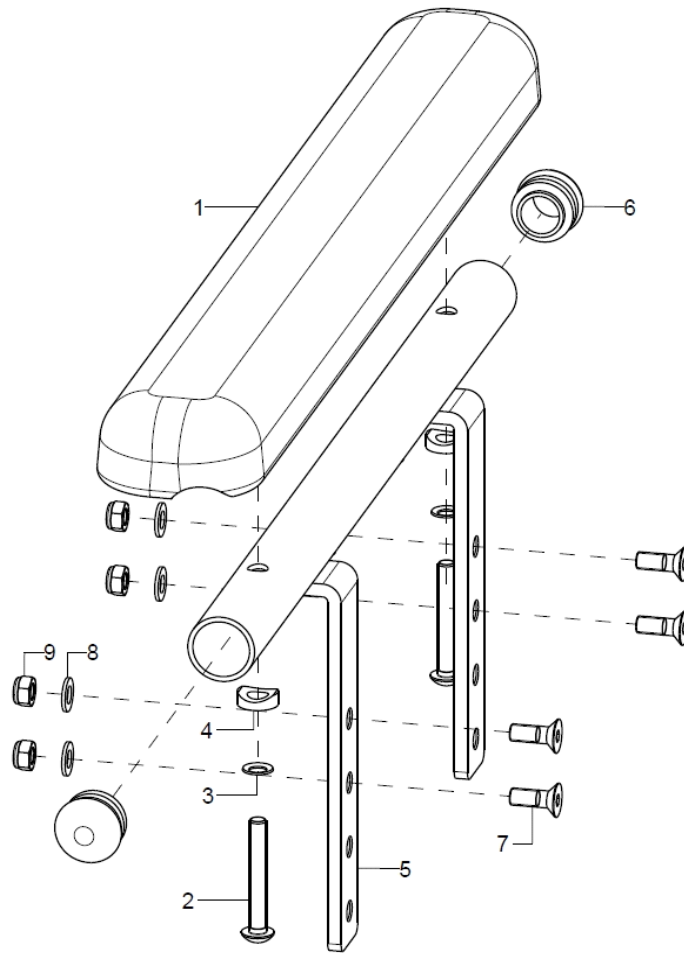


pcs.	Q/1	item no.	Product name:	Variant:	drawing no.
1	1	46110202			46.11.02.01.02.75
o.B.	1	46110201			46.11.02.01.01.75
altern.	1	46110302			46.11.03.01.02.75
o.B.	1	46110301			46.11.03.01.01.75
2	2	46100121			46.10.01.21.00.75
3	2	46100120			46.10.01.20.00.75
o.B.	1	45170202			45.17.01.05.02.69
o.B.	1	45170201			45.17.01.05.01.69
4	2	46100113			46.10.01.13.00.75
5-8	2	46100114			46.10.01.14.00.75
6	1		lens head screw with hexagon socket ISO 7380 - M6x30		01.42.08.58.65.00
7	1		pressure spring DIN 2098 0,7x7,65/9,05x21		04.21.00.80.21.00
8	1		hexagon nut self-locking low form DIN 985 - M6		02.32.00.60.01.20
9-11	2	46100117			46.10.99.17.00.75
10	1		cylinder screw DIN 912 M6x25		01.22.08.56.02.40
11	1		lock washer S6		02.99.10.60.01.10
12-15	2	46101802			46.10.01.18.00.75
13	2				46.10.01.15.00.75
14	1				03.36.05.20.00.01
15	2		blind rivet F5x10 A2/A2		03.64.00.50.10.30
16.1+1 8-20	1	46101602			46.10.01.16.02.75
o.B.	1	46101601			46.10.01.16.01.75



16.2+1 2 8-20	45260110		45.26.01.10.00.75
17	2		46.10.01.19.00.75
18	2(1)	counter sunk screw with hexogon socket DIN 7991 M5x16	01.65.07.92.05.00
19	2(1)	washer DIN 9021 - M5	02.79.05.31.20.20
20	2(1)	hexagon nut self-locking low form DIN 985 - M5	02.32.00.50.01.20

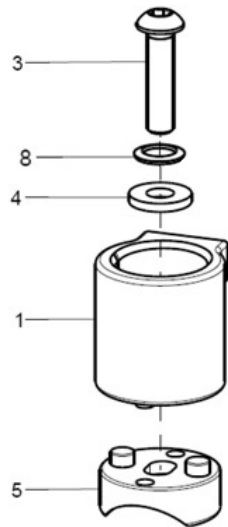
Arm pad for long side guard



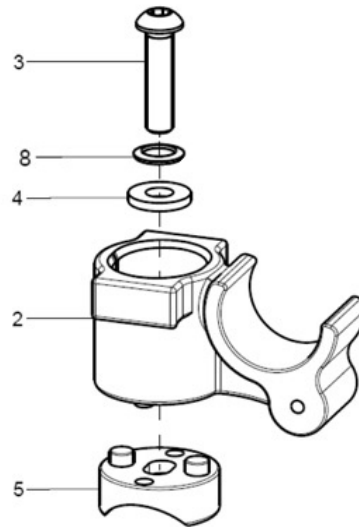
pcs.	Q/1	item no.	Product name:	Variant:	drawing no.
1-9	1P	452507			
1	2	450010			04.65.01.37.00.10
2-4	1	45250799			
2	2		lens head screw with hexagon socket ISO 7380 - M5x35		01.42.07.99.65.00
3	2		lock washer S5		02.99.10.50.01.10
4	2				40.04.16.01.00.10
5-9	1	45250702			45.25.07.01.02.75
o.B.	1	45250701			45.25.07.01.01.75
6	2		plugs for tube $\varnothing 20 \times 1-2$, black		04.63.10.20.00.10
7	4		counter sunk screw with hexagon socket DIN 7991 M5x14		01.65.07.90.05.00
8	4		washer DIN 125 - A 5,3		02.61.05.31.01.20
9	4		hexagon nut self-locking low form DIN 985 - M5		02.32.00.50.01.20

Desk/long side guard, front socket

Bei abduzierten Rahmen (nicht bei XL Rahmen)
Bis ST 42cm

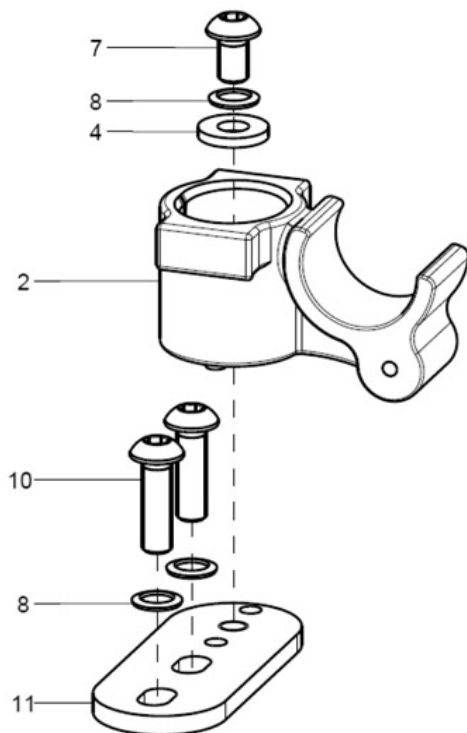
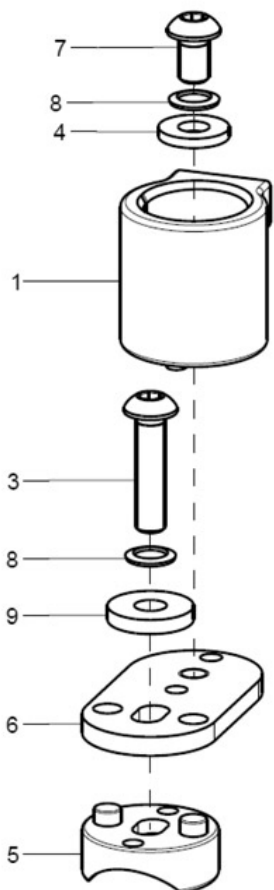


Ab ST 44 cm

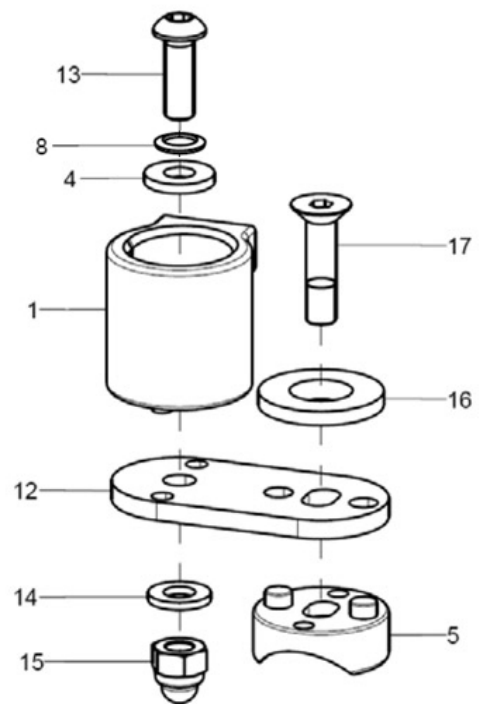


Bei abduzierten XL Rahmen
Bis ST 42cm

Ab ST 44 cm



Bei geradem Rahmen

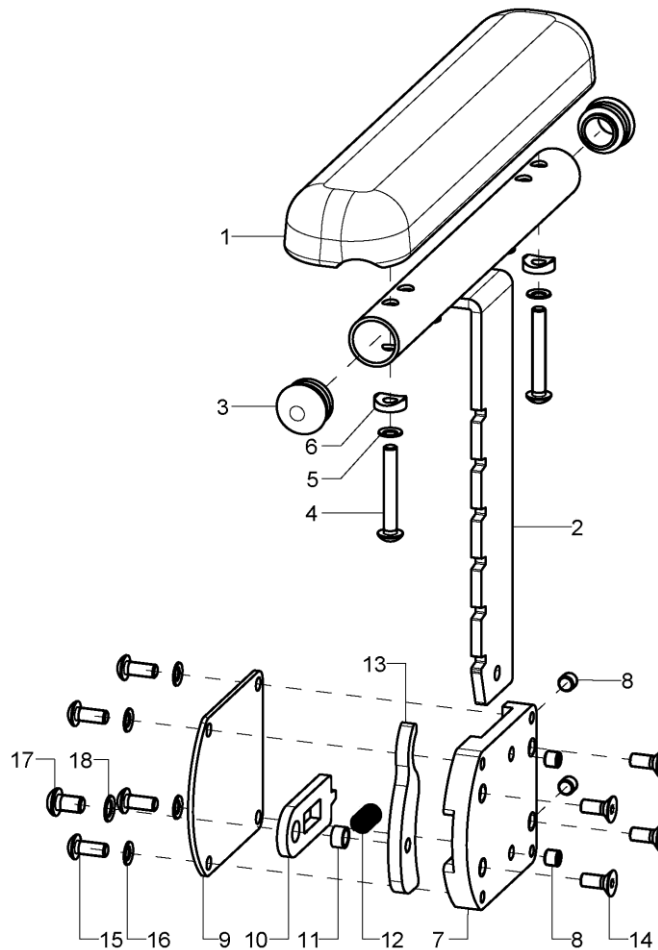




pcs.	Q/1	item no.	Product name:	Variant:	drawing no.
1+3- 5+8	2	46100130			
2-5+8	2	46100131			
1+3-9	2	46100132			
2+4+7+ 8+10+ 11	2	46100133			
1+4+5+ 8+12- 17	2	46100134			
1	1	46100110			46.10.01.10.00.75
2	1	46100111			46.10.01.11.00.75
3	1		lens head screw with hexagon socket ISO 7380 - M6x25		01.42.08.56.65.00
4	1		washer reinforced Ø14/6,2x2		58.30.15.01.00.24
5	1	46100112			46.10.01.12.00.75
6	1	46100126			46.10.01.26.00.75
7	1		lens head screw with hexagon socket ISO 7380 - M6x10		01.42.08.48.65.00
8	1(2)(3)		lock washer S6		02.99.10.60.01.10
9	1		washer DIN 7349 - 6,4		02.77.06.53.00.20
7	1		lens head screw with hexagon socket ISO 7380 - M6x20		01.42.08.54.05.00
11	1	46100127			46.10.01.27.00.75
12	1	46100125			46.10.01.25.00.75
13	1		lens head screw with hexagon socket ISO 7380 - M6x18		01.42.08.53.05.00
14	1		washer DIN 125 - A 6,4		02.61.06.41.41.20
15	1		hexagon cap nut low form with clamp DIN 986 - M6		02.33.00.60.11.20
16	1	46100122			46.10.01.22.00.75
17	1		counter sunk screw with hexagon socket DIN 7991 M6x25		01.65.08.56.02.40

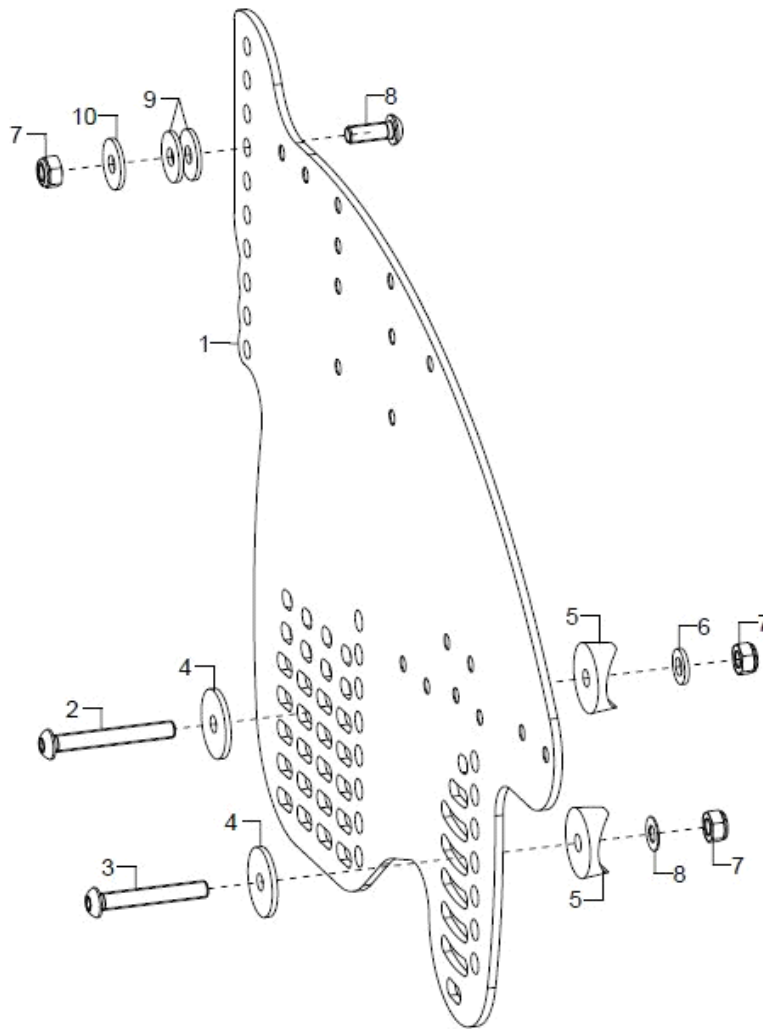
Raster arm pad

Suitable for desk side guard and long side guard



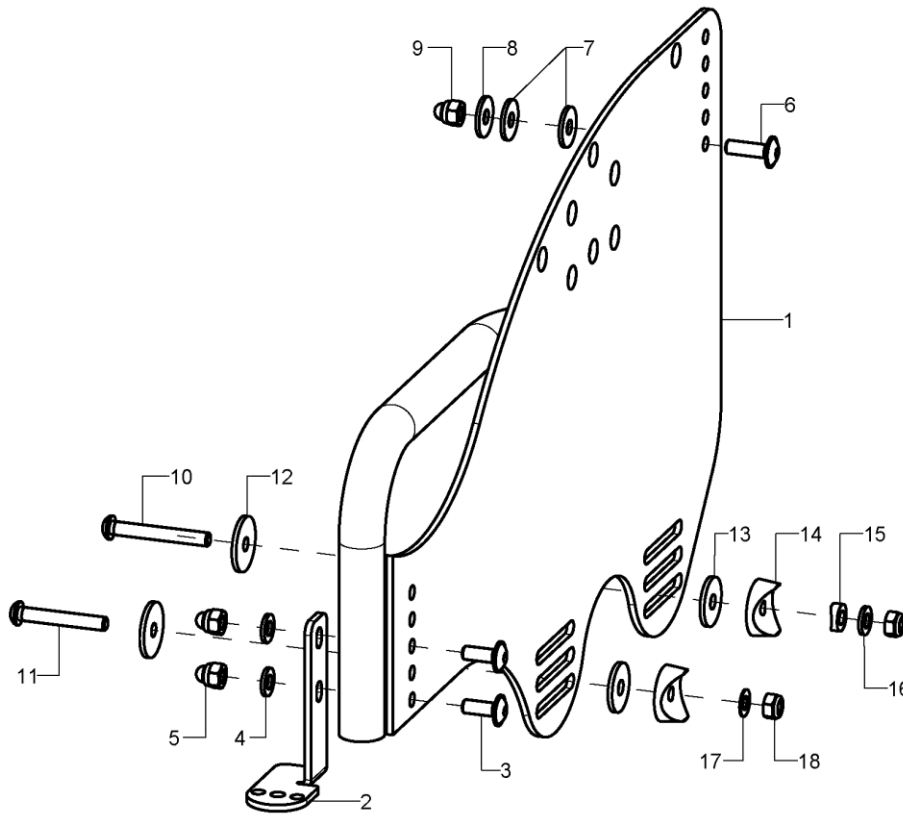
pcs.	Q/1	item no.	Product name:	Variant:	drawing no.
1-18	1	452506			
1	1	450007	arm rest, straight black 240x50x26, 2xM5x164		04.65.01.24.00.10
2-3	1	45250611			45.25.06.10.02.75
o.B.	1	45250610			45.25.06.10.01.75
3	2		plugs for tube ø20x1-2, black		04.63.10.20.00.10
4	2		lens head screw with hexagon socket ISO 7380 - M5x35		01.42.07.99.65.00
5	2		lock washer S5		02.99.10.50.01.10
6	2				40.04.16.01.00.10
7-18	1	45250622			
o.B.	1	45250621			
7	1				45.25.06.02.00.75
8	4				01.68.08.45.06.00
9	1				45.25.06.04.00.75
10	1				45.25.06.01.00.75
11	1				45.25.06.11.00.75
12	1		pressure spring DIN 2098 0,7x7,65/9,05x21		04.21.00.80.21.00
13	1				45.25.06.05.00.75
14	4		counter sunk screw with hexagon socket DIN 7991 M5x12		01.65.07.89.05.00
15	4		lens head screw with hexagon socket ISO 7380 - M5x12		01.42.07.89.65.00
16	4		lock washer S5		02.99.10.50.01.10
17	1		lens head screw with hexagon socket ISO 7380 - M6x10		01.42.08.48.65.00
18	1		lock washer S6		02.99.10.60.01.10

Side guard for gas pressure spring back



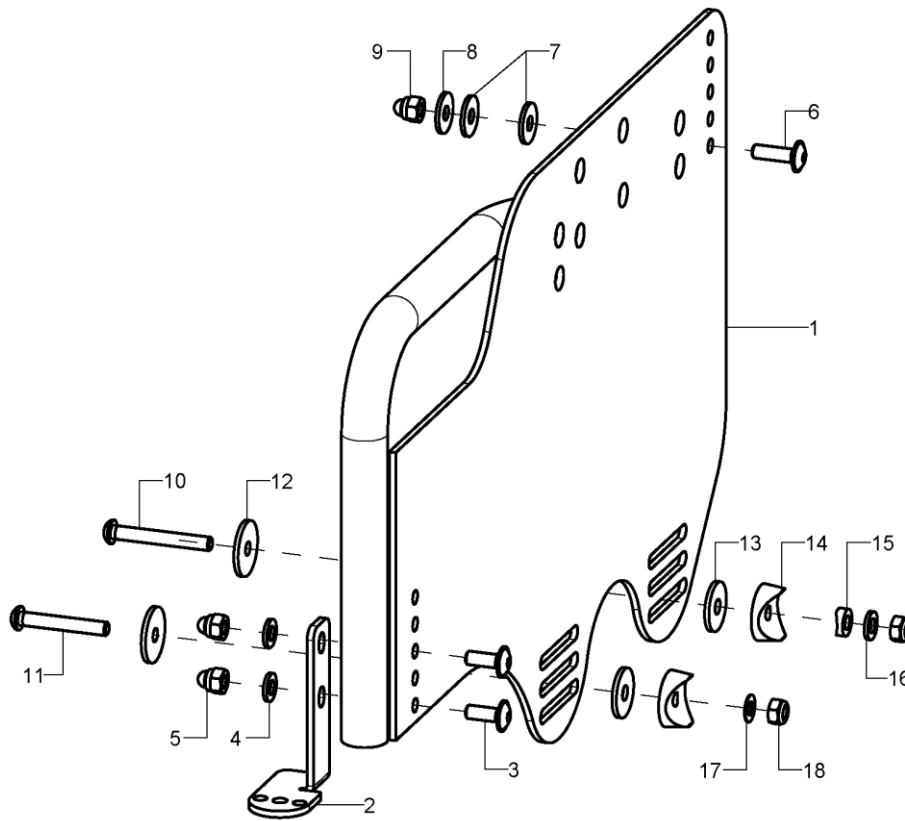
pcs.	Q/1	item no.	Product name:	Variant:	drawing no.
1	1	45252604			45.25.05.12.02.75
o.B.	1	45252603			45.25.05.12.01.75
altern.	1	45252404			45.25.05.10.02.75
o.B.	1	45252403			45.25.05.10.01.75
altern.	1	45252204			45.25.05.09.02.75
o.B.	1	45252203			45.25.05.09.01.75
2-11	2	452597			
2	1		lens head screw with hexagon socket ISO 7380 - M6x45		01.42.08.61.65.00
3	1		lens head screw with hexagon socket ISO 7380 - M6x40		01.42.08.60.65.00
4	2				40.24.01.04.00.54
5	2		saddle washer black ø 24/8		04.63.39.24.08.30
6	1		washer DIN 125 - A 6,4		02.61.06.41.41.20
7	3		hexagon nut self-locking low form DIN 985 - M6		02.32.00.60.01.20
8	1		fitted washer DIN 988 - 6x12x0,5 - A2		02.68.06.00.50.30
9	1		lens head screw with hexagon socket ISO 7380 - M6x20		01.42.08.54.05.00
10	2		washer DIN 9021- 6,4- PA		02.79.06.41.60.70
11	1		washer DIN 9021 -6,4		02.79.06.41.60.20

Desk side guard for gas pressure spring back



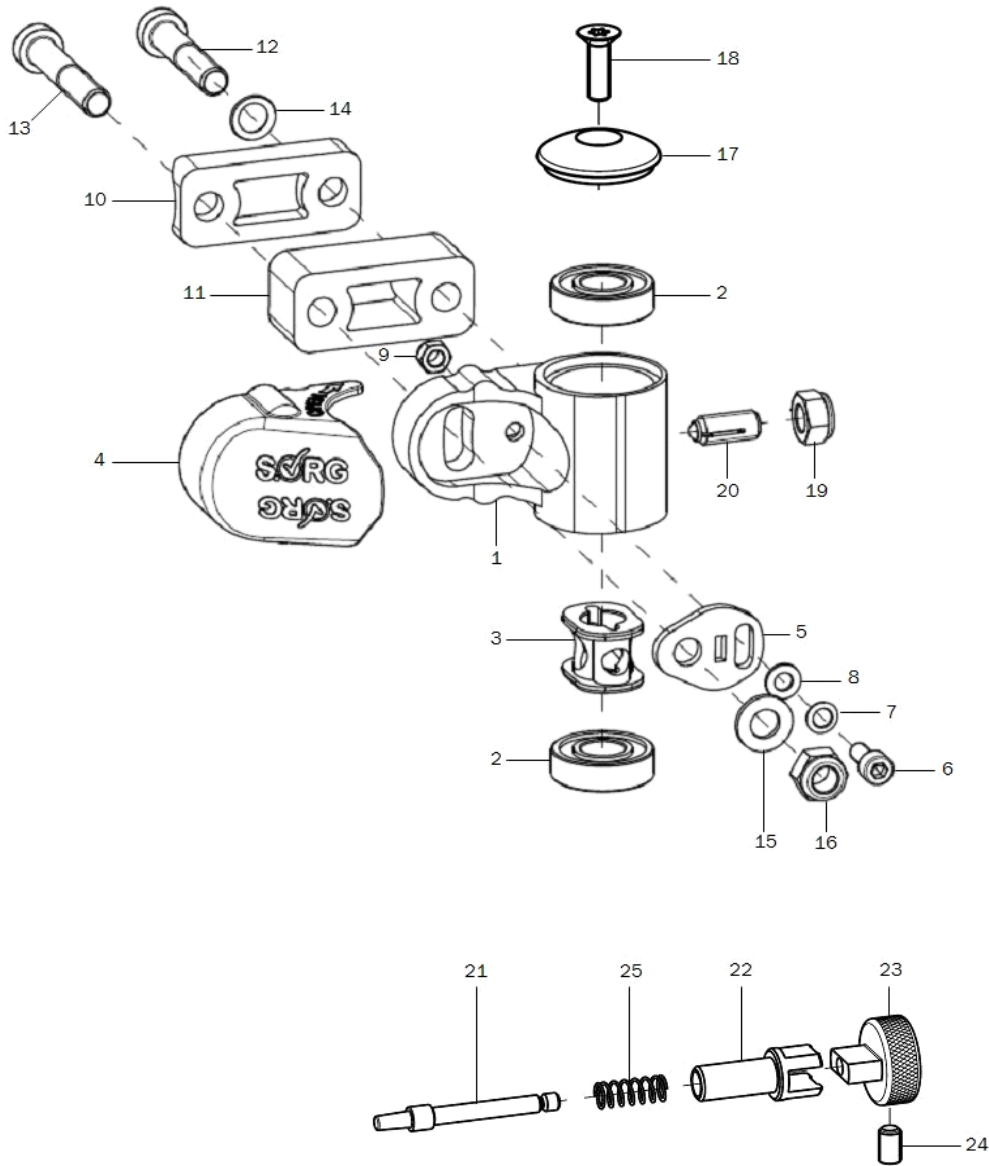
pcs.	Q/1	item no.	Product name:	Variant:	drawing no.
1	1	46100402			46.10.04.01.02.75
o.B.	1	46100401			46.10.04.01.01.75
altern.	1	46100502			46.10.03.01.02.75
o.B.	1	46100501			46.10.03.01.01.75
2-5	1	46100404			46.10.04.03.02.75
o.B.	1	46100403			46.10.04.03.01.75
altern.	1	46100604			46.10.06.01.02.75
o.B.	1	46100603			46.10.06.01.01.75
3	2		lens head screw with hexagon socket M6x16		01.43.08.52.65.00
4	2		washer DIN 125 - A 6,4		02.61.06.41.41.20
5	2		hexagon cap nut low form with clamp DIN 986 - M6		02.33.00.60.11.20
6-18	2	46100499			
6	1		lens head screw with hexagon socket M6x20		01.43.08.54.65.00
7	2		washer DIN 9021- 6,4- PA		02.79.06.41.60.70
8	1		washer DIN 9021 -6,4		02.79.06.41.60.20
9	1		hexagon cap nut low form with clamp DIN 986 - M6		02.33.00.60.11.20
10	1		lens head screw with hexagon socket ISO 7380 - M6x45		01.42.08.61.65.00
11	1		lens head screw with hexagon socket ISO 7380 - M6x40		01.42.08.60.65.00
12	2				40.24.01.04.00.54
13	2		washer DIN 440, 6,6x22x2		02.67.22.03.09.20
14	2		saddle washer black ø 24/8		04.63.39.24.08.30
15	1		saddle washer ø12/6x2,5		35.04.16.01.00.10
16	1		washer DIN 125 - A 6,4		02.61.06.41.41.20
17	1		fitted washer DIN 988 - 6x12x0,5 - A2		02.68.06.00.50.30
18	2		hexagon nut self-locking low form DIN 985 - M6		02.32.00.60.01.20

Long side guard for gas pressure spring back



pcs.	Q/1	item no.	Product name:	Variant:	drawing no.
1	1	46110402			46.11.04.01.02.75
o.B.	1	46110401			46.10.04.01.01.75
altern.	1	46110502			46.11.05.01.02.75
o.B.	1	46110501			46.11.05.01.01.75
2-5	1	46100404			46.10.04.03.02.75
o.B.	1	46100403			46.10.04.03.01.75
altern.	1	46100604			46.10.06.01.02.75
o.B.	1	46100603			46.10.06.01.01.75
3	2		lens head screw with hexagon socket M6x16		01.43.08.52.65.00
4	2		washer DIN 125 - A 6,4		02.61.06.41.41.20
5	2		hexagon cap nut low form with clamp DIN 986 - M6		02.33.00.60.11.20
6-18	2	46100499			
6	1		lens head screw with hexagon socket M6x20		01.43.08.54.65.00
7	2		washer DIN 9021- 6,4- PA		02.79.06.41.60.70
8	1		washer DIN 9021 -6,4		02.79.06.41.60.20
9	1		hexagon cap nut low form with clamp DIN 986 - M6		02.33.00.60.11.20
10	1		lens head screw with hexagon socket ISO 7380 - M6x45		01.42.08.61.65.00
11	1		lens head screw with hexagon socket ISO 7380 - M6x40		01.42.08.60.65.00
12	2				40.24.01.04.00.54
13	2		washer DIN 440, 6,6x22x2		02.67.22.03.09.20
14	2		saddle washer black ø 24/8		04.63.39.24.08.30
15	1		saddle washer ø12/6x2,5		35.04.16.01.00.10
16	1		washer DIN 125 - A 6,4		02.61.06.41.41.20
17	1		fitted washer DIN 988 - 6x12x0,5 - A2		02.68.06.00.50.30
18	2		hexagon nut self-locking low form DIN 985 - M6		02.32.00.60.01.20

Caster wheel adapter



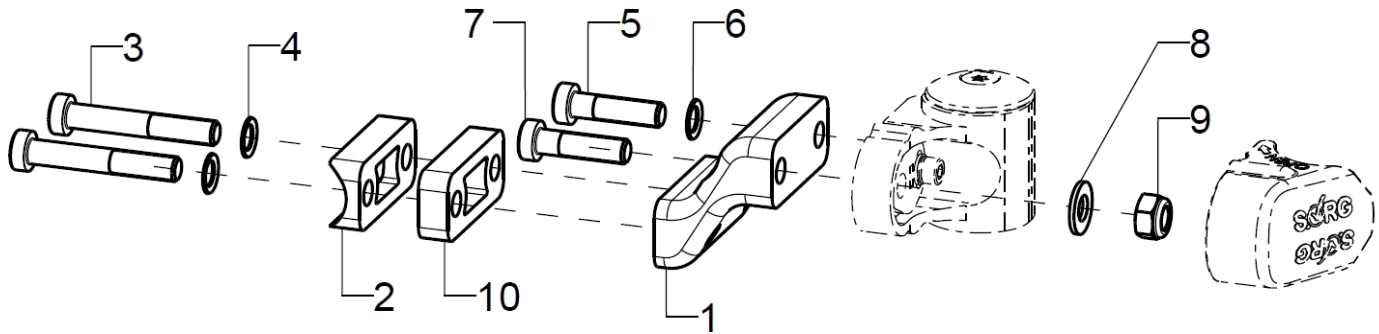
pcs.	Q/1	item no.	Product name:	Variant:	drawing no.
1-9+19-24	2	280506	caster adapter track fixation		XXXXXXXXXXXX
1-9	2	280500	steering adapter aluminum complete		28.05.01.00.00.00
1	1	280501	steering adapter aluminum		28.05.01.02.00.00
altern.	1	280507	caster adapter track fixation		28.05.01.01.00.00
2	2	200011	groove ball bearing $\varnothing 28/12$ 6001z		04.32.12.08.00.10
3	1	280504	damper element		28.05.01.04.00.00
4	1	280030	cover cap		28.00.10.03.00.10
5	1	280503	eccentric disc		28.05.01.03.00.00
6	1		cylinder screw DIN 912 M5x12		01.22.07.89.72.40
7	1		lock washer S5		02.99.10.50.01.10
8	1		washer DIN 125 - A 5,3		02.61.05.31.01.20
9	1		hexagon nut self-locking low form DIN 985 - M5		02.32.00.50.01.20



10+12-16	2	280510	mounting set caster adapter aluminum	28.05.10.90.01.00
10+12-16	2	280511	mounting set caster adapter aluminum 20mm	28.05.10.90.02.00
10+12-16	2	280512	mounting set caster adapter aluminum 40mm	28.05.10.90.03.00
10	1	280502	half shell LRAD R12	28.05.02.01.00.00
11	1	280513	track extention 20mm	28.05.02.03.00.00
altern.	1	280514	track extention 40mm	28.05.02.04.00.00
12	1		cylinder screw low head DIN 7984 - M8x40	01.24.09.80.62.40
altern.	1		cylinder screw low head DIN 7984 - M8x60	01.24.09.84.02.40
altern.	1		cylinder screw low head DIN 7984 - M8x80	01.24.09.88.62.40
13	1		cylinder screw low head DIN 7984 - M8x45	01.24.09.81.62.40
altern.	1		cylinder screw low head DIN 7984 - M8x65	01.24.09.85.62.40
altern.	1		cylinder screw low head DIN 7984 - M8x85	01.24.09.89.62.40
14	1		lock washer S8	02.99.10.80.01.10
15	1		washer DIN 125 - A 8,4	02.61.08.41.41.20
16	1		hexagon nut self-locking low form DIN 985 - M8	02.32.00.80.01.20
17-18	1	282107	cap 35x10 black anodized incl. mounting screw	28.21.07.01.00.10
18	1		counter sunk screw with Torx ISO 14581 M6x20 vz, black	01.66.08.54.92.21
19	1		hexagon nut self-locking low form DIN 985 - M8	02.32.00.80.01.20
20	2	285103	spring pressure piece M8 complete	04.14.50.80.21.20
21-25	2	285003	track fixation complete	XXXXXXXXXXXX
21	1			28.50.01.01.00.10
22	1			28.50.01.02.00.10
23	1			28.50.01.03.00.10
24	1		setscrew with hexagon socket DIN 913,M5x8	01.67.07.87.61.20
25	1		pressure spring 0,55x5,5x23,7	04.21.05.52.37.10

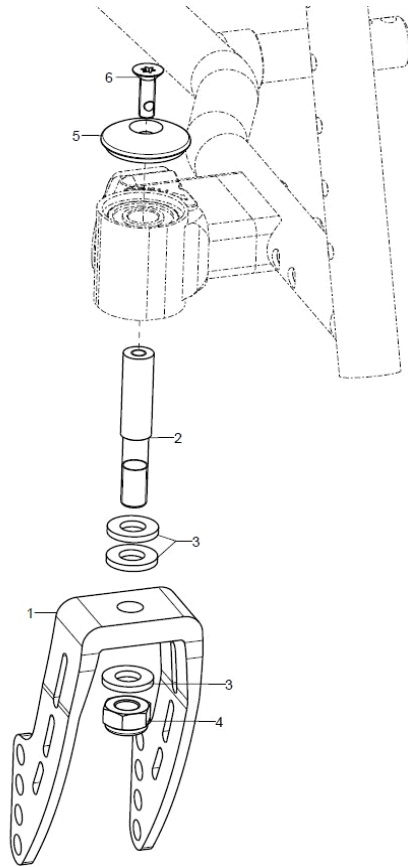
Achtung: Wenn eine Lenk- und Schiebehilfe oder Rückhalteösen am Rollstuhl angebaut sind, bitte bei Bestellungen von Ersatzteilen angeben.

Adapter for low seat heights



pcs.	Q/1	item no.	Product name:	Variant:	drawing no.
1	2	280525			28.05.03.01.00.00
altern.	2	280526			28.05.03.02.00.00
2-9	2	280527			
2	1	280502	half shell LRAD R12		28.05.02.01.00.00
3	2		cylinder screw low head DIN 7984 - M8x40		01.24.09.80.62.40
altern.	2				01.24.09.82.62.40
4	2		lock washer S8		02.99.10.80.01.10
5	1				01.24.09.78.62.40
6	1		lock washer S8		02.99.10.80.01.10
7	1				01.24.09.79.62.40
8	1		washer DIN 125 - A 8,4		02.61.08.41.41.20
9	1		hexagon nut self-locking low form DIN 985 - M8		02.32.00.80.01.20
10	1	280515			28.05.02.05.00.00
(optional)					

Caster wheel fork

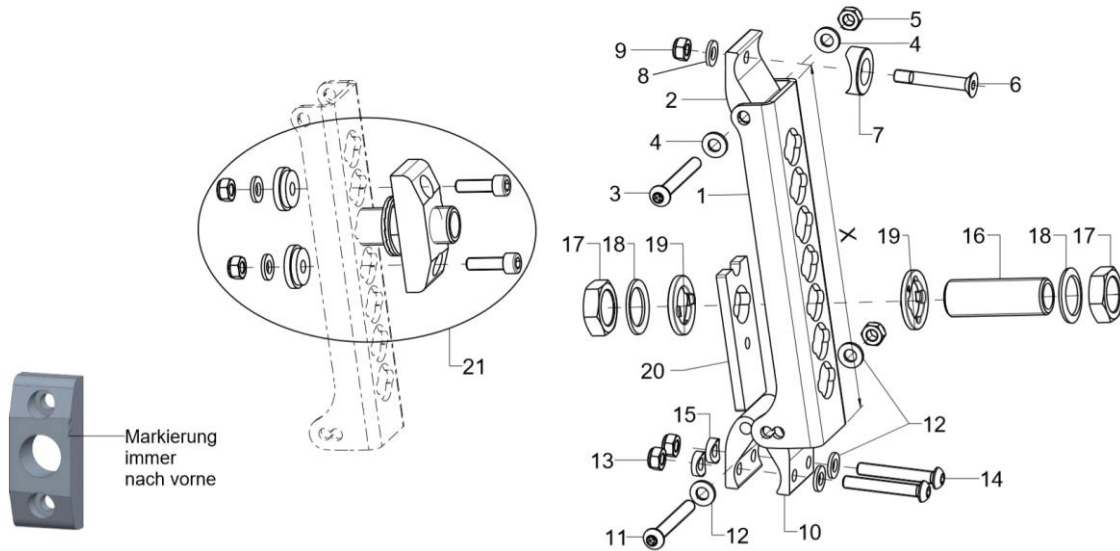


pcs.	Q/1	item no.	Product name:	Variant:	drawing no.
1	2	2841	caster fork aluminum 164x45		28.41.01.00.00.10
o.B.	2	2842	caster fork aluminum 126x45		28.42.01.00.00.10
o.B.	2	2843	caster fork aluminum 100x45		28.43.01.00.00.10
o.B.	2	2845			28.00.02.03.00.00
2	2	282104	steering axle $\varnothing 12 \times 65$, 1		28.21.05.01.00.10
o.B.	2	285101	steering axle 65 for track fixation		28.50.00.03.00.10
o.B.	2	285001	steering axle 65 for locking		28.50.00.01.00.10
3+4	2	282120	mounting set caster axle on caster fork aluminum (washers, hexagon nut)		28.21.20.01.01.00
3	3		washer DIN 1440 -10x20x2,5		02.71.10.02.50.20
4	1		hexagon nut self-locking low form DIN 985 - M10		02.32.01.00.01.20
5-6	2	282107	cap 35x10 black anodized incl. mounting screw		28.21.07.01.00.10
6	2		counter sunk screw with Torx ISO 14581 M6x20 vz, black		01.66.08.54.92.21

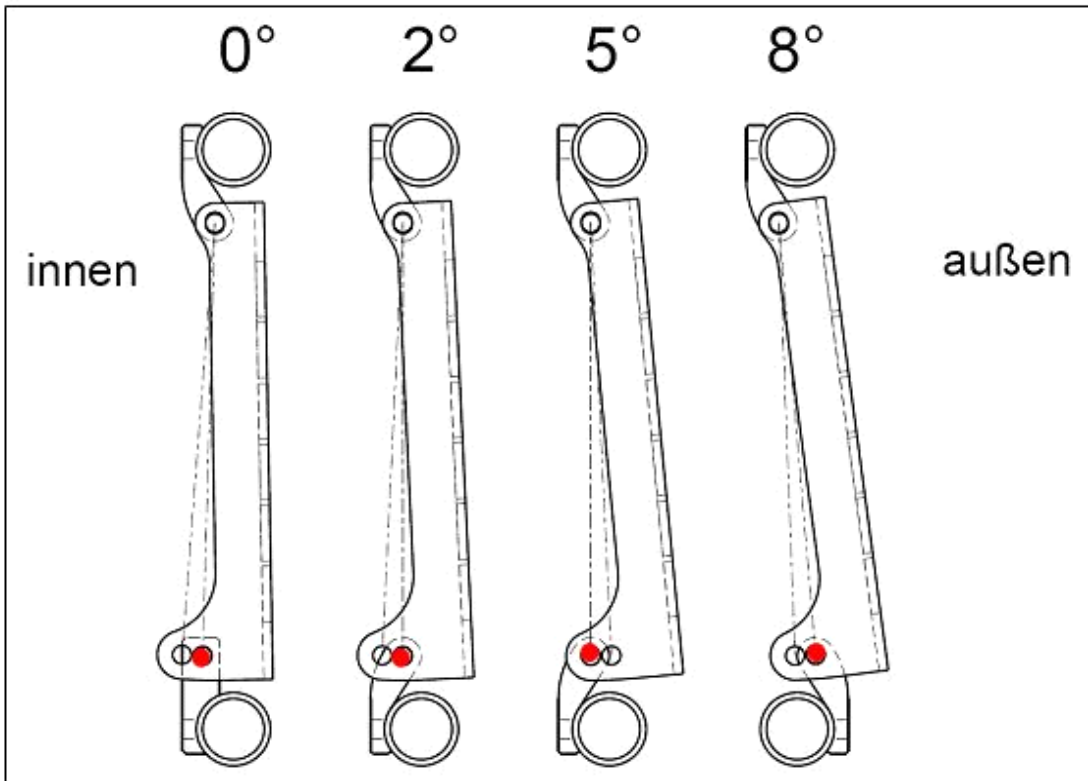
Caster wheels

pcs.	Q/1	item no.	Product name:	Variant:	drawing no.
o.B.	2	281004	steering wheel 4 solid rubber		04.52.41.04.00.20
o.B.	2	283904			04.52.41.04.00.40
o.B.	2	282004	caster 4" PU with LED		04.52.45.04.00.10
o.B.	2	281005	caster 5" soft solid rubber		04.52.44.05.00.10
o.B.	2	283905			04.52.41.05.00.70
o.B.	2	282005	caster 5" PU, transparent with LED		04.52.45.05.00.40
o.B.	2	281515	caster 5" PU		04.52.42.05.00.30
o.B.	2	281505			04.52.42.05.00.40
o.B.	2	281055	caster 5,5" solid rubber		
o.B.	2	281006	caster 6" solid rubber		04.52.41.06.00.30
o.B.	2	283906			04.52.41.06.00.40
o.B.	2	281516	caster 6" PU		04.52.42.06.00.30
o.B.	2	281506			04.52.42.05.00.40
o.B.	2	280006	caster 6" pneumatic wheels		04.52.43.06.00.11
o.B.	2	281007	caster 7" solid rubber		04.52.41.07.00.20
o.B.	2	280007	caster 7" pneumatic wheels		04.52.43.07.00.11
o.B.	2	289998			

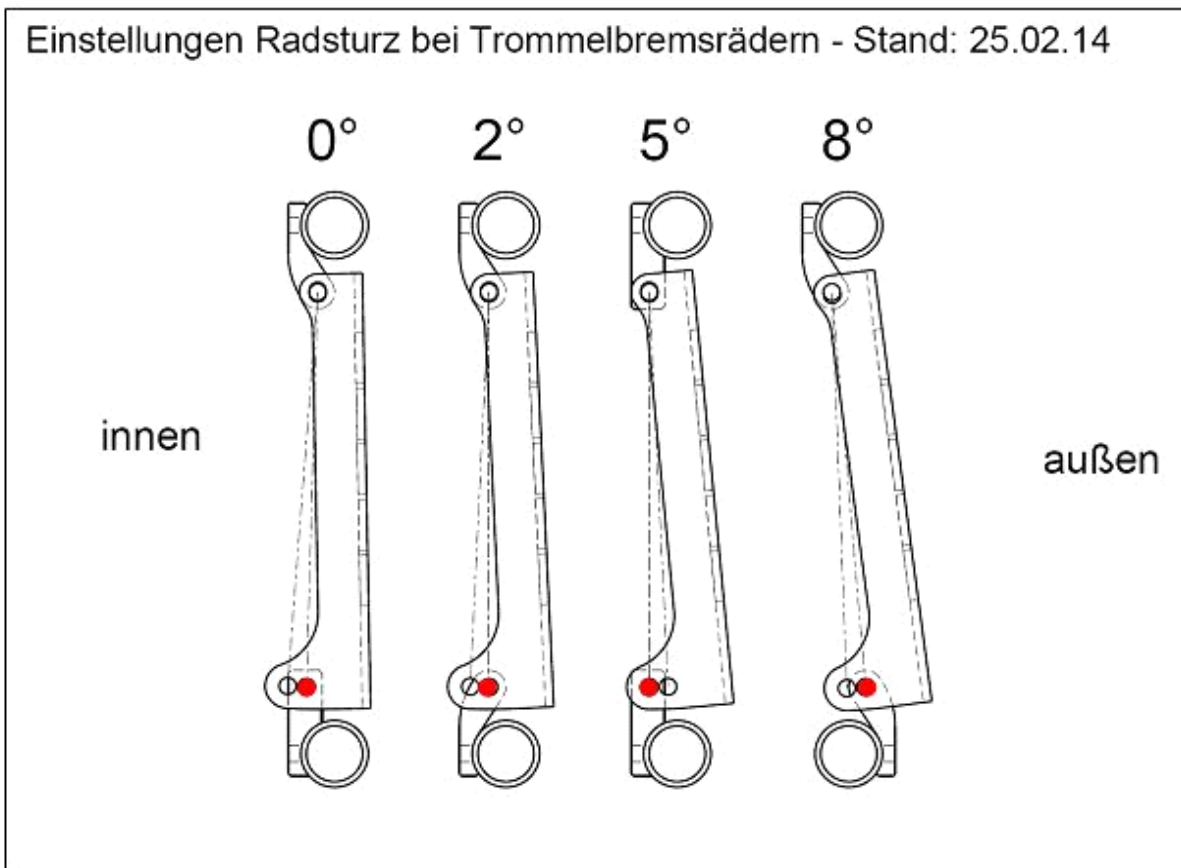
Axle plate standard



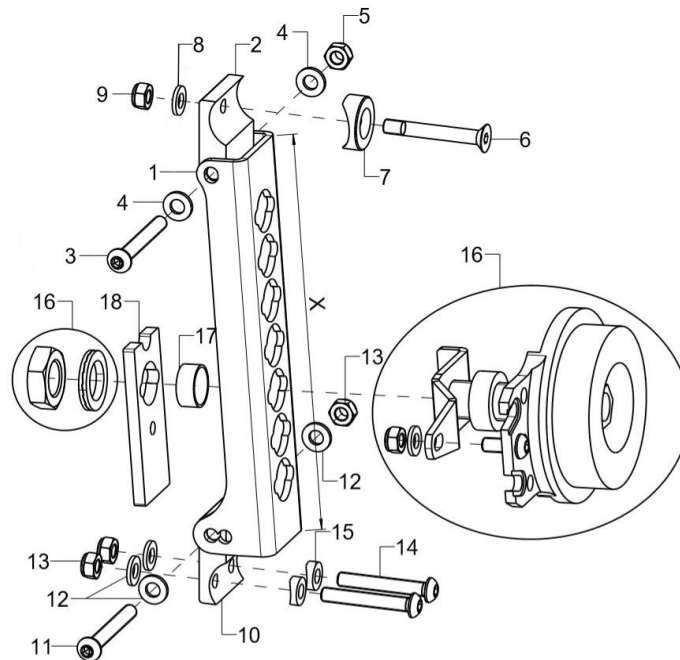
pcs.	Q/1	item no.	Product name:	Variant:	drawing no.
1	2	20150902	axle plate, X = 176,5 mm		20.15.09.11.00.69
2	2	20150903	attachment 1B		20.15.09.12.00.69
3-9	2	20150999	mounting set attachment 1B		XXXXXXXXXXXX
3	1		lens head screw with hexagon socket ISO 7380 - M6x50		01.42.08.62.65.00
4	2		washer DIN 125 - A 6,4		02.61.06.41.41.20
5	1		hexagon nut self-locking low form DIN 985 - M6		02.32.00.60.01.20
6	1		counter sunk screw with hexagon socket DIN 7991 M6x40		01.65.08.60.05.00
7	1				20.15.09.05.00.69
8	1		washer DIN 125 - A 6,4		02.61.06.41.41.20
9	1		hexagon nut self-locking low form DIN 985 - M6		02.32.00.60.01.20
10	2	20150913	attachment 2B		20.15.09.13.00.69
o.B.	2	20150917	attachment for drum brake 2B		20.15.09.17.00.69
11-15	2	20150998	mounting set attachment 2B		XXXXXXXXXXXX
11	1		lens head screw with hexagon socket ISO 7380 - M6x50		01.42.08.62.65.00
12	4		washer DIN 125 - A 6,4		02.61.06.41.41.20
13	3		hexagon nut self-locking low form DIN 985 - M6		02.32.00.60.01.20
14	2		lens head screw with hexagon socket ISO 7380 - M6x40		01.42.08.60.65.00
15	2		saddle washer Ø12/6x2,5		35.04.16.01.00.10
16-20	1	210024	axle adapter M18x1 d12		04.51.61.25.12.03
17	2		hexagon nut M18x1		02.19.01.30.11.21
18	2		lock washer S18		02.99.11.80.01.10
19	2	20150501			20.15.05.01.01.00
o.B.	2	20150502			20.15.05.02.01.00
20	1	20150921	reinforcement axle plate		20.15.09.21.00.69
21	2	20150929	distance block for wheel base extension incl. mounting set		XXXXXXXXXXXX



Einstellungen Radsturz bei Trommelbremsrädern - Stand: 25.02.14

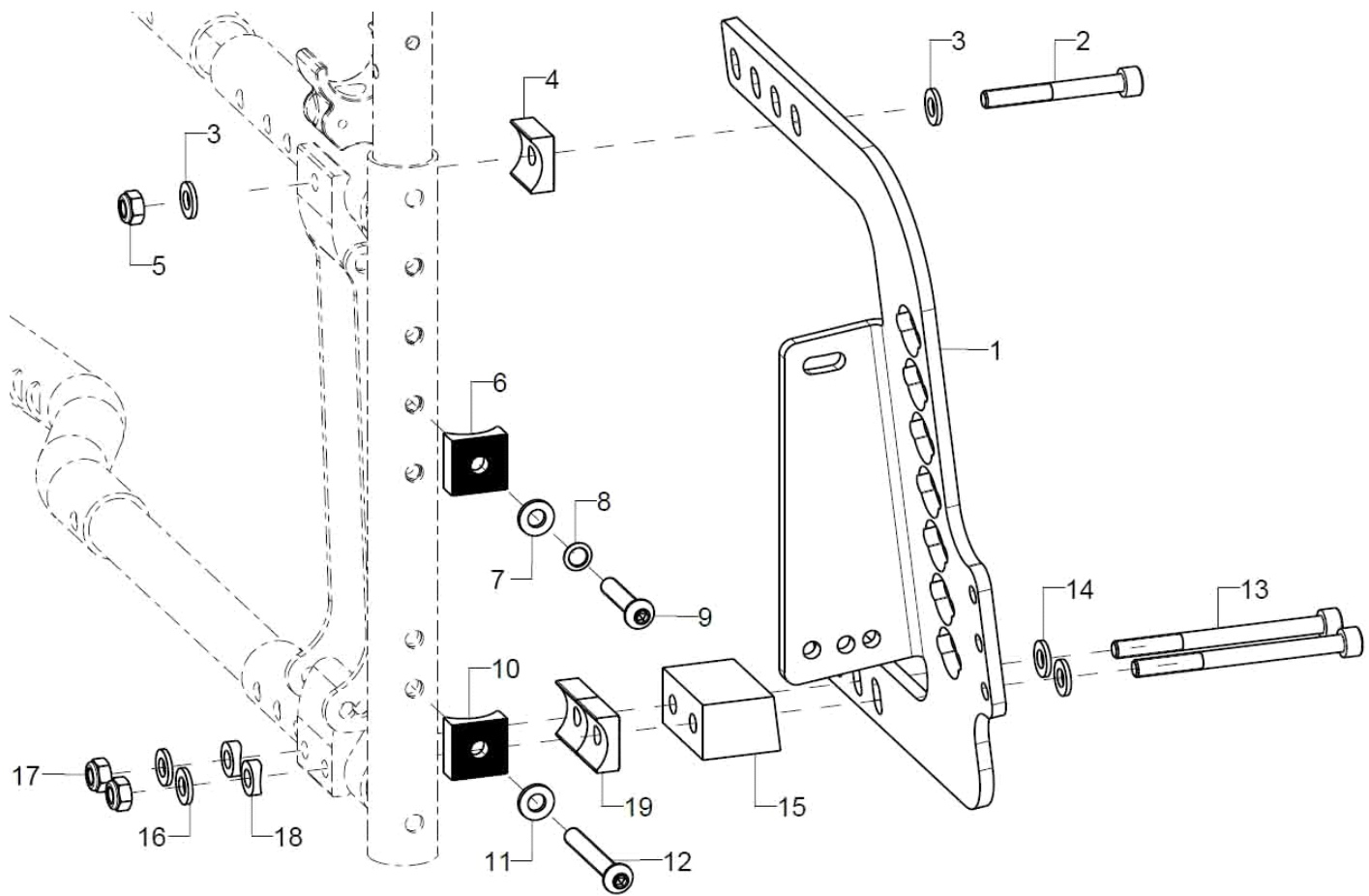


Axle plate drum brake



pcs.	Q/1	item no.	Product name:	Variant:	drawing no.
1	2	20150902	axle plate, X = 176,5 mm		20.15.09.11.00.69
2	2	20150916	attachment for drum brake 1B		20.15.09.06.00.69
o.B.	2	20150903	attachment 1B		20.15.09.12.00.69
3-9	2	20150999	mounting set attachment 1B		XXXXXXXXXXXX
3	1		lens head screw with hexagon socket ISO 7380 - M6x50		01.42.08.62.65.00
4	1		washer DIN 125 - A 6,4		02.61.06.41.41.20
5	1		hexagon nut self-locking low form DIN 985 - M6		02.32.00.60.01.20
6	1		counter sunk screw with hexagon socket DIN 7991 M6x40		01.65.08.60.05.00
7	1				20.15.09.05.00.69
8	1		washer DIN 125 - A 6,4		02.61.06.41.41.20
9	1		hexagon nut self-locking low form DIN 985 - M6		02.32.00.60.01.20
10	2	20150917	attachment for drum brake 2B		20.15.09.17.00.69
o.B.	2	20150913	attachment 2B		20.15.09.13.00.69
11-15	2	20150998	mounting set attachment 2B		XXXXXXXXXXXX
11	1		lens head screw with hexagon socket ISO 7380 - M6x50		01.42.08.62.65.00
12	4		washer DIN 125 - A 6,4		02.61.06.41.41.20
13	3		hexagon nut self-locking low form DIN 985 - M6		02.32.00.60.01.20
14	2		lens head screw with hexagon socket ISO 7380 - M6x40		01.42.08.60.65.00
15	2		saddle washer $\varnothing 12/6 \times 2,5$		35.04.16.01.00.10
16-18	1	220005	drum brake body complete, incl. adapter and counter wrench		22.00.01.99.00.10
o.B.	1	220013	drum brake anchor pre-assembled		
17	2	22001202			22.00.12.04.00.69
18	2	20150921	reinforcement axle plate		20.15.09.21.00.69
o.B.	2	597492	extension set for drum brake wheel		XXXXXXXXXXXX

Wheel base lengthening



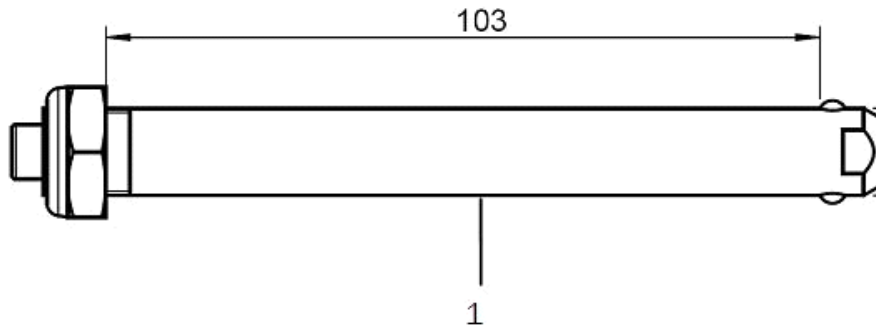
pcs.	Q/1	item no.	Product name:	Variant:	drawing no.
1-19	1P	7601	wheel base extension		76.06.02.01.00.00
1-19	1	76060202			76.06.02.02.02.00
o.B.	1	76060201			76.06.02.02.01.00
altern.	1	76060302			76.06.02.03.02.00
o.B.	1	76060301			76.06.02.03.01.00
2	1				01.22.08.62.62.40
3	2		washer DIN 125 - A 6,4		02.61.06.41.41.20
4	1				76.01.03.01.00.10
5	1		hexagon nut self-locking low form DIN 985 - M6		02.32.00.60.01.20
6	1				76.01.03.01.00.10
7	1		washer DIN 125 - A 6,4		02.61.06.41.41.20
8	1		lock washer S6		02.99.10.60.01.10
9	1		lens head screw with hexagon socket ISO 7380 - M6x30		01.42.08.58.65.00
10	1				76.01.03.01.00.10
11	1		washer DIN 125 - A 6,4		02.61.06.41.41.20
12	1		lens head screw with hexagon socket ISO 7380 - M6x45		01.42.08.61.65.00
13	2				01.22.08.61.62.40
altern.	2				01.22.08.64.02.40
altern.	2				01.22.08.67.02.40
14	2		washer DIN 125 - A 6,4		02.61.06.41.41.20
15-19	1	76060103			76.06.02.04.01.00
altern.	1	76060104			76.06.02.04.02.00
16	2		washer DIN 125 - A 6,4		02.61.06.41.41.20

17	2	hexagon nut self-locking low form DIN 985 - M6	02.32.00.60.01.20
18	2	saddle washer $\varnothing 12/6 \times 2,5$	35.04.16.01.00.10
19	2		76.01.03.01.00.10

Achtung:

Bei dem Anbau der Radstandsverlängerung ist auch der Anbau der Bremsschiene für die Radstandsverlängerung erforderlich. Siehe Baugruppe Rahmen Sport.

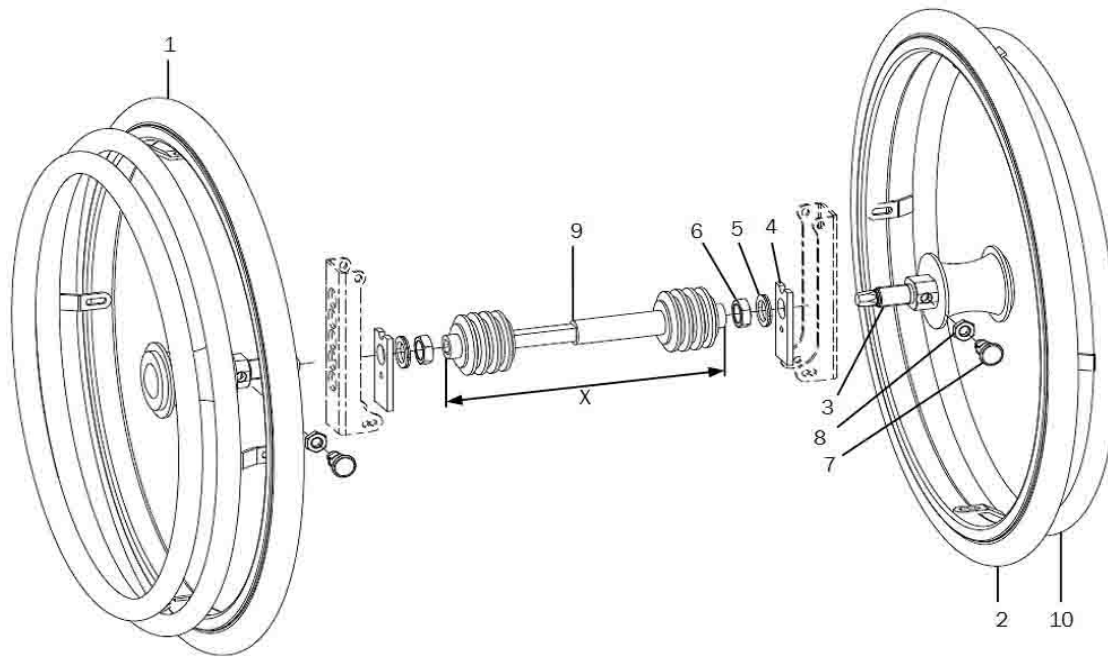
Rear wheels



pcs.	Q/1	item no.	Product name:	Variant:	drawing no.
o.B.	2	212200	22" driving wheel with standard hub		
o.B.	2	212400	24" driving wheel standard hub		
o.B.	2	222200	22" driving wheel with drum brake		
o.B.	2	222400	24" driving wheel standard with drum brake		
o.B.	2	222600			
o.B.	2	21223201			
o.B.	2	21243201			
o.B.	2	21263201			
o.B.	2	22223201			
o.B.	2	22243201			
o.B.	2	22263201			
o.B.	2	212277	22" lightweight wheel with hand rim, standard		
o.B.	2	212477	24" lightweight wheel with hand rim, standard		
o.B.	2	212281	22" lightweight wheel with drum brake, black		
o.B.	2	212481	24" lightweight wheel with drum brake, black		
o.B.	2	220001	quick-release axle D12x123mm for drum brake		04.51.51.21.20.30
o.B.	2	210003	quick-release axle 12,7x103 mm for standard hub from 5/2013 and light weight wheel		04.51.51.21.00.31
o.B.	2	200011	groove ball bearing \varnothing 28/12 6001z		04.32.12.08.00.10

Double handrims standard

Only possible from SW24

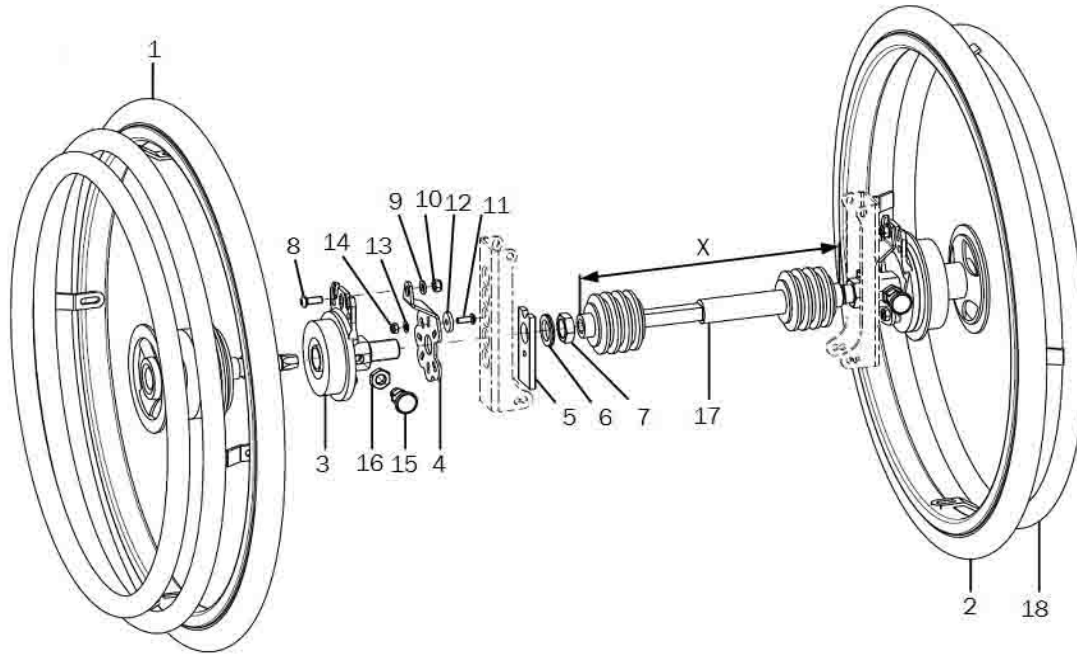


pcs.	Q/1	item no.	Product name:	Variant:	drawing no.
1-9	1	261403	double handrim 22" standard hub incl. drag anchor, brake arm and telescope rod		XXXXXXXXXX
o.B.	1	261405	double handrim 24" standard hub incl. drag anchor, brake arm and telescope rod		XXXXXXXXXX
1	1	261442	22" double handrim driving wheel standard hub, driving side		XXXXXXXXXX
o.B.	1	261444	24" double handrim driving wheel standard hub, driving side		XXXXXXXXXX
2	1	261443	22" double handrim driving wheel standard hub, opposite side		XXXXXXXXXX
o.B.	1	261445	24" double handrim driving wheel standard hub, opposite side		XXXXXXXXXX
3-8	1	261429	mounting set DHR drum brake 3-8		XXXXXXXXXX
3	1				
4	1	20150921	reinforcement axle plate		20.15.09.21.00.69
5	1		lock washer M18 (Nord-Lock)		02.99.21.95.01.10
6	1		hexagon nut M18x1		02.19.01.30.11.21
7	1				04.14.34.50.01.00
8	1		hexagon nut DIN 934 - M10		02.19.01.00.01.20
9	1	26140004			26.14.10.01.04.00
o.B.	1	26140005			26.14.10.01.05.00
o.B.	1	26140006			26.14.10.01.06.00
o.B.	1	26140007			26.14.10.01.07.00
10	1	261431	hand rim for other side 22"		XXXXXXXXXX
o.B.	1	261432	hand rim for other side 24"		XXXXXXXXXX



Double handrims drum brake

Only possible from SW24



pcs.	Q/1	item no.	Product name:	Variant:	drawing no.
1-17	1	261404	double handrim 22" drum brake hub incl. drag anchor, brake arm and telescope rod		XXXXXXXXXX
o.B.	1	261406	double handrim 24" drum brake hub incl. drag anchor, brake arm and telescope rod		XXXXXXXXXX
1	1	261452	22" double handrim driving wheel drum brake hub, driving side		XXXXXXXXXX
o.B.	1	261454	24" double handrim driving wheel drum brake hub, driving side		XXXXXXXXXX
2	1	261453	22" double handrim driving wheel drum brake hub, opposite side		XXXXXXXXXX
o.B.	1	261455	24" double handrim driving wheel drum brake hub, opposite side		XXXXXXXXXX
3-16	1	261428	mounting set DHR drum brake		XXXXXXXXXX
3	1				
4	1	220012	holder other side drum brake		
5	1	20150921	reinforcement axle plate		20.15.09.21.00.69
6	1		lock washer M18 (Nord-Lock)		02.99.21.95.01.10
7	1		hexagon nut M18x1		02.19.01.30.11.21
8	1		lens head screw with hexagon socket ISO 7380 - M6x16		01.42.08.52.65.00
9	1		washer DIN 125 - A 6,4		02.61.06.41.41.20
10	1		hexagon nut self-locking low form DIN 985 - M6		02.32.00.60.01.20
11	1				01.43.07.90.65.00
12	1				22.00.12.02.00.10
13	1		washer DIN 125 - A 5,3		02.61.05.31.01.20
14	1		hexagon nut self-locking low form DIN 985 - M5		02.32.00.50.01.20
15	1				04.14.34.50.01.00
16	1		hexagon nut DIN 934 - M10		02.19.01.00.01.20
17	1	26140004			26.14.10.01.04.00
o.B.	1	26140005			26.14.10.01.05.00
o.B.	1	26140006			26.14.10.01.06.00
o.B.	1	26140007			26.14.10.01.07.00
18	1	261431	hand rim for other side 22"		XXXXXXXXXX
o.B.	1	261432	hand rim for other side 24"		XXXXXXXXXX



Tyres

pcs.	Q/1	item no.	Product name:	Variant:	drawing no.
o.B.	2	202216			
o.B.	2	202416			
o.B.	2	202613			
o.B.	2	202212	tire for pneumatic tube 22x1" Marathon plus, black		
o.B.	2	202412	tire for pneumatic tube 24x1" Marathon plus, black		04.61.12.41.20.21
o.B.	2	202612			
o.B.	2	202221	tire for pneumatic tube 22x1 3/8" grey		04.61.12.20.30.10
o.B.	2	202421	tire for pneumatic tube 24x1 3/8" grey		04.61.12.40.30.10
o.B.	2	200522	tube 22"		
o.B.	2	200524	tube 24"		
o.B.	2	232213			
o.B.	2	232413			
o.B.	2	232214			
o.B.	2	232414			
o.B.	2	232212			04.61.22.20.10.11
o.B.	2	232412			04.61.22.40.10.11

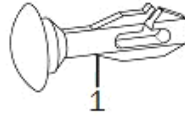
Handrims

pcs.	Q/1	item no.	Product name:	Variant:	drawing no.
o.B.	2	302201	handrim 22" standard, stainless steel polished		
o.B.	2	302301	handrim 22" high, stainless steel polished		
o.B.	2	302401	handrim 24" standard, stainless steel polished		
o.B.	2	302501	handrim 24" high, stainless steel polished		
o.B.	2	302601			
o.B.	2	302701			
o.B.	2	3422	Maxgrepp-handrim 22", 4 loops complete		
o.B.	2	3424	Maxgrepp-handrim 24", 4 loops complete		
o.B.	2	3122	hand rim, stainless steel 22", 8 knobs		
o.B.	2	3124	hand rim, stainless steel 24", 8 knobs		
o.B.	2	312611			
o.B.	2	3322	hand rim aluminium, 22", black, pvc coating		
o.B.	2	3324	hand rim aluminium, 24", black, pvc coating		
o.B.	2	3326			
o.B.	2	342424			
o.B.	2	302078			
o.B.	2	302278			
o.B.	2	302478			

Handrim covers

pcs.	Q/1	item no.	Product name:	Variant:	drawing no.
o.B.	2	322002	handrim cover silicone black ø442		04.67.06.20.00.40
o.B.	2	322202	handrim cover silicone black ø478		04.67.06.22.00.30
o.B.	2	322205	handrim cover silicone black ø453		04.67.06.22.00.20
o.B.	2	322208	handrim cover silicone black ø388		04.67.06.22.00.10
o.B.	2	322402	handrim cover silicone black ø532		04.67.06.24.00.30
o.B.	2	322404	handrim cover silicone black ø504		04.67.06.24.00.10
o.B.	2	322405	handrim cover silicone black ø514		04.67.06.24.00.20
o.B.	2	322603	handrim cover silicone black ø565		04.67.06.24.00.40
o.B.	2	322602			04.67.06.26.00.10
o.B.	2	322201	handrim cover profile wheel, Ergo 22"		
o.B.	2	322401	handrim cover profile wheel, Ergo 24"		
o.B.	2	322601			

Spoke guards



pcs.	Q/1	item no.	Product name:	Variant:	drawing no.
1	1	25000001			
o.B.	2	252200	spoke cover 22", Unicolor transparent		
o.B.	2	252400	spoke cover 24", Unicolor transparent		
o.B.	2	252600			

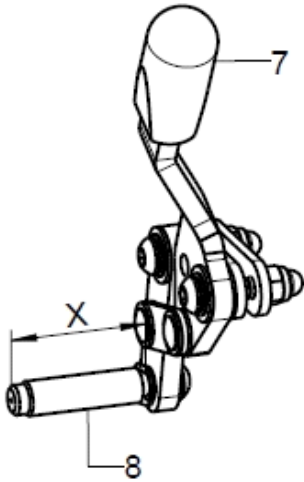
Design-Dekor-Speichenschützer können Sie unter den folgenden Internetadressen wählen:

www.speichen-schutz.de
www.wheelchairgadgets.com

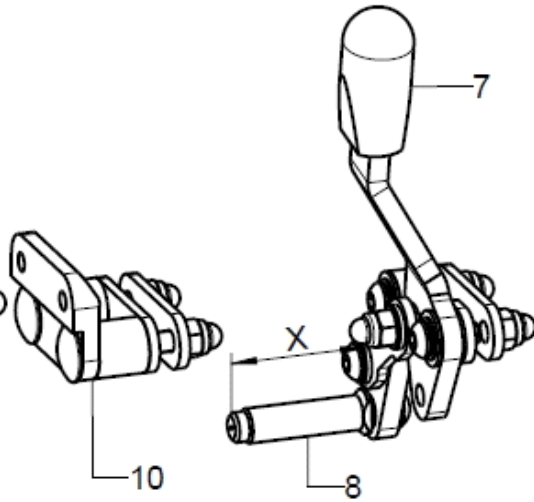
Knee lever brake

Please select the required mounting variant for your brake variant

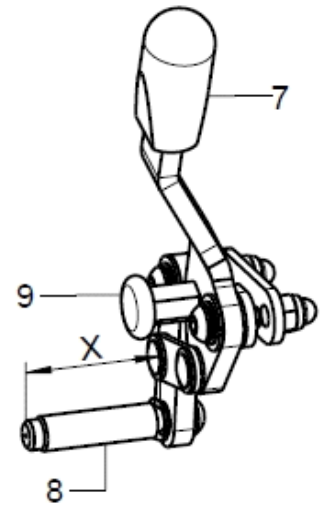
Bremsenvarianten



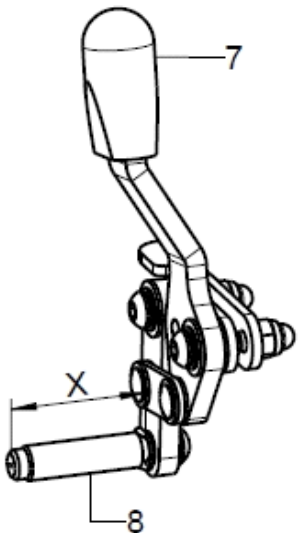
1
KHB Standard



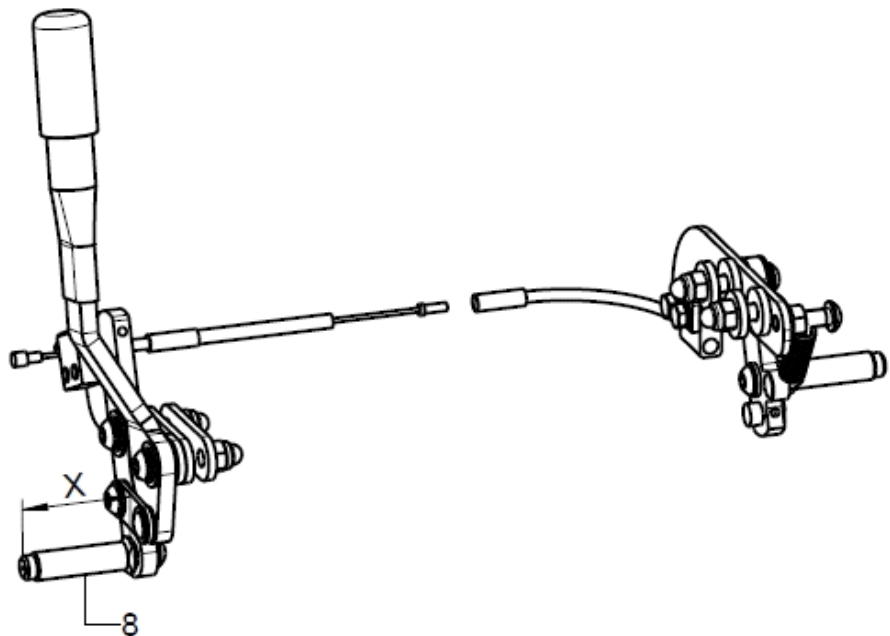
2
KHB Pull to Lock



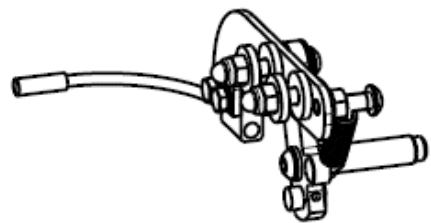
3
KHB verriegelbar



4
KHB mit reduziertem
Hebelweg



5
Einhandbremse Bedienseite

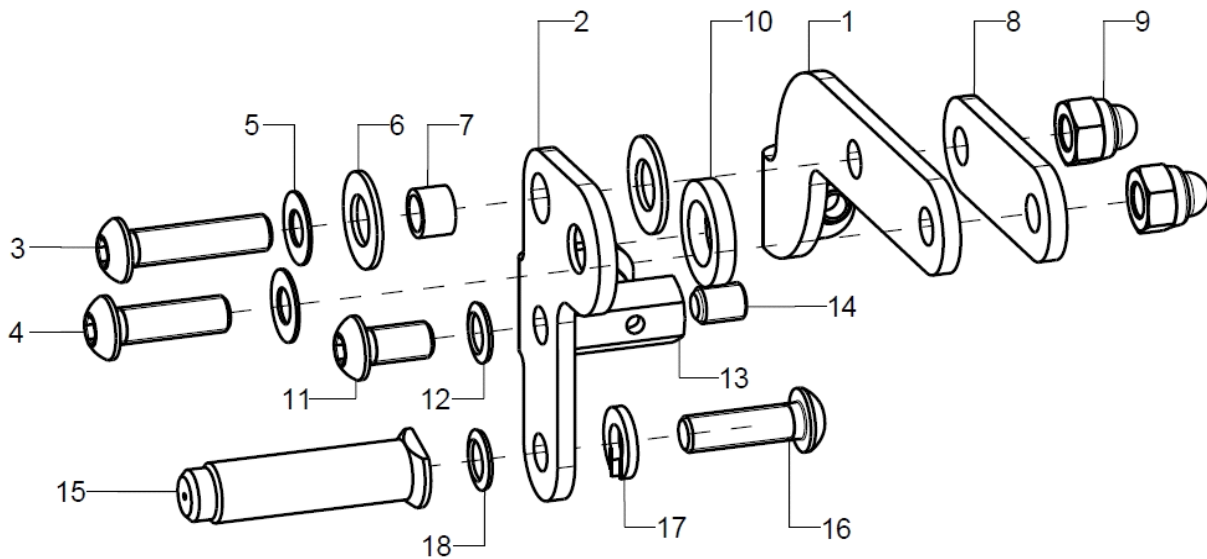


6
Einhandbremse
Nicht-Bedienseite



pcs.	Q/1	item no.	Product name:	Variant:	drawing no.
o.B.	1	357501			
o.B.	1	357502			
o.B.	1	357503			
o.B.	1	357504			
o.B.	1	357505			
o.B.	1	357506			
o.B.	1	357507			
o.B.	1	357508			
1+7+8	1	352502	knee lever brake standard right complete		XXXXXXXXXXXXX
o.B.	1	352501	knee lever brake standard left complete		XXXXXXXXXXXXX
2+7+8	1	352902	knee lever brake pull-to-lock right complete		XXXXXXXXXXXXX
o.B.	1	352901	knee lever brake pull-to-lock left complete		XXXXXXXXXXXXX
3+7-9	1	351302	knee lever brake lockable complete right		XXXXXXXXXXXXX
o.B.	1	351301	knee lever brake lockable complete left		XXXXXXXXXXXXX
4+7+8	1	353402			
o.B.	1	353401			
5+6+8	1	350902	one-hand brake right, complete user side + non-operating side		XXXXXXXXXXXXX
o.B.	1	350901	one-hand brake left, complete user side + non-operating side		XXXXXXXXXXXXX
5+8	1	350904	one-hand brake, operating side right		XXXXXXXXXXXXX
o.B.	1	350903	one-hand brake, operating side left		XXXXXXXXXXXXX
6+8	1	350912	one-hand brake non-operating side complete		XXXXXXXXXXXXX
7	2	350017	cap black 15x6,8		35.00.17.01.00.10
8	1	352518	brake bolt 40 mm left-hand thread incl. mounting set		35.25.01.18.00.10
o.B.	1	352506	brake bolt milled 40 mm incl. mounting set		35.25.01.15.00.10
o.B.	1	352519	brake bolt 50 mm left-hand thread incl. mounting set		35.25.01.19.00.10
o.B.	1	352507	brake bolt milled 50 mm incl. mounting set		35.25.01.16.00.10
o.B.	1	352520			35.25.01.20.00.10
o.B.	1	352510	bracket 34, Bd 16x3x50 lockable		35.25.01.17.00.10
9	1	350503	latch 6/M10, red lockable		04.14.43.60.02.00
10	2	35250301			35.25.03.01.00.75

Bowden cable brake pressure piece

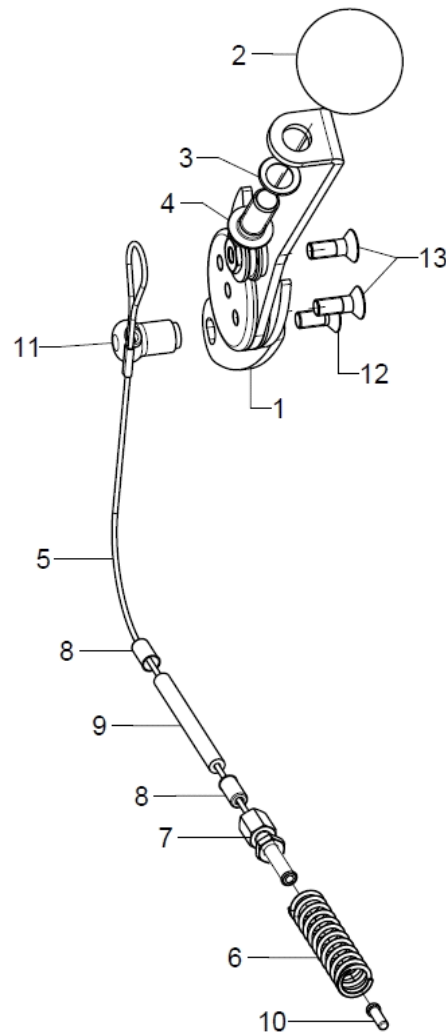


pcs.	Q/1	item no.	Product name:	Variant:	drawing no.
1-32	1	3531	cable brake complete		XXXXXXXXXXXX
1-14	1	353116			
o.B.	1	353115			
1	1	35310205	base part right		35.31.02.04.02.69
o.B.	1	35310204	base part left		35.31.02.04.01.69
2	1	35310202	pressing part right		35.31.02.01.02.69
o.B.	1	35310201	pressing part left		35.31.02.01.01.69
3-14	2	353199	mounting set for cable brake		XXXXXXXXXXXX
3	1		lens head screw with hexagon socket ISO 7380 - M6x25		01.42.08.56.65.00
o.B.	1				01.42.08.59.62.60
o.B.	1		lens head screw with hexagon socket ISO 7380 - M6x40		01.42.08.60.65.00
o.B.	1		lens head screw with hexagon socket ISO 7380 - M6x50		01.42.08.62.65.00
4	1		lens head screw with hexagon socket ISO 7380 - M6x20		01.42.08.54.05.00
o.B.	1		lens head screw with hexagon socket ISO 7380 - M6x30		01.42.08.58.65.00
o.B.	1				01.42.08.59.62.60
o.B.	1		lens head screw with hexagon socket ISO 7380 - M6x45		01.42.08.61.65.00
o.B.	1	352505	bracket 34 Bd 16x3x50		35.25.01.07.00.18
o.B.	2	35310209			45.31.01.03.00.72
o.B.	2	35310207			35.31.02.07.00.69
o.B.	2	35310208			35.31.02.08.00.69
5	2		fitted washer DIN 988 - 6x12x0,5 - A2		02.68.06.00.50.30
6	2		fender disc 8,4x16x1 PE		02.81.16.00.10.70
7	1				35.31.02.03.00.69
8	2	352505	bracket 34 Bd 16x3x50		35.25.01.07.00.18
o.B.	2		washer DIN 9021 -6,4		02.79.06.41.60.20
9	2		hexagon cap nut low form with clamp DIN 986 - M6		02.33.00.60.11.20
10	1				19.06.02.07.00.24
11	1		lens head screw with hexagon socket ISO 7380 - M6x12		01.42.08.49.65.00
12	1		lock washer S6		02.99.10.60.01.10
13	1				35.31.02.06.00.69
14	1		setscrew with hexagon socket DIN 913, M6x8		01.67.08.47.61.20
15-18	1	352518	brake bolt 40 mm left-hand thread incl. mounting set		35.25.01.18.00.10



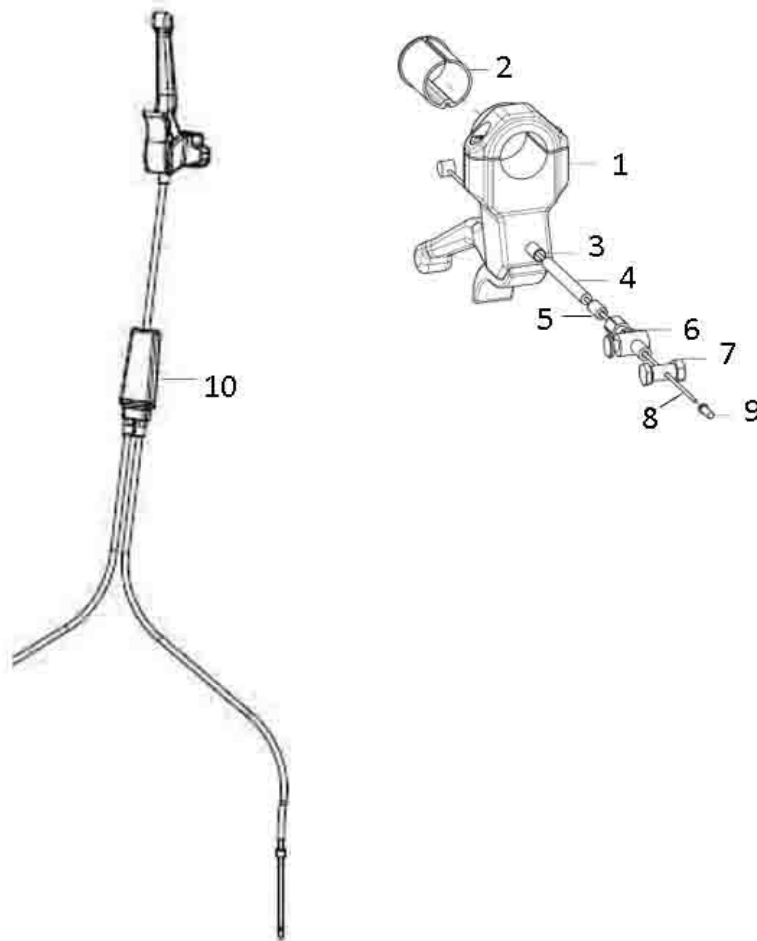
o.B.	1	352506	brake bolt milled 40 mm incl. mounting set	35.25.01.15.00.10
15-18	1	352519	brake bolt 50 mm left-hand thread incl. mounting set	35.25.01.19.00.10
o.B.	1	352507	brake bolt milled 50 mm incl. mounting set	35.25.01.16.00.10
15-18	1	352520		35.25.01.20.00.10
o.B.	1	352510	bracket 34, Bd 16x3x50 lockable	35.25.01.17.00.10
16	1		lens head screw with hexagon socket ISO 7380 , M6x20 left-hand thread	01.42.08.54.05.01
o.B.	1		lens head screw with hexagon socket ISO 7380 - M6x20	01.42.08.54.05.00
17	1		spring ring DIN 127- A6	02.85.30.60.05.10
18	1		lock washer S6	02.99.10.60.01.10

Bowden cable brake control/non-control sides



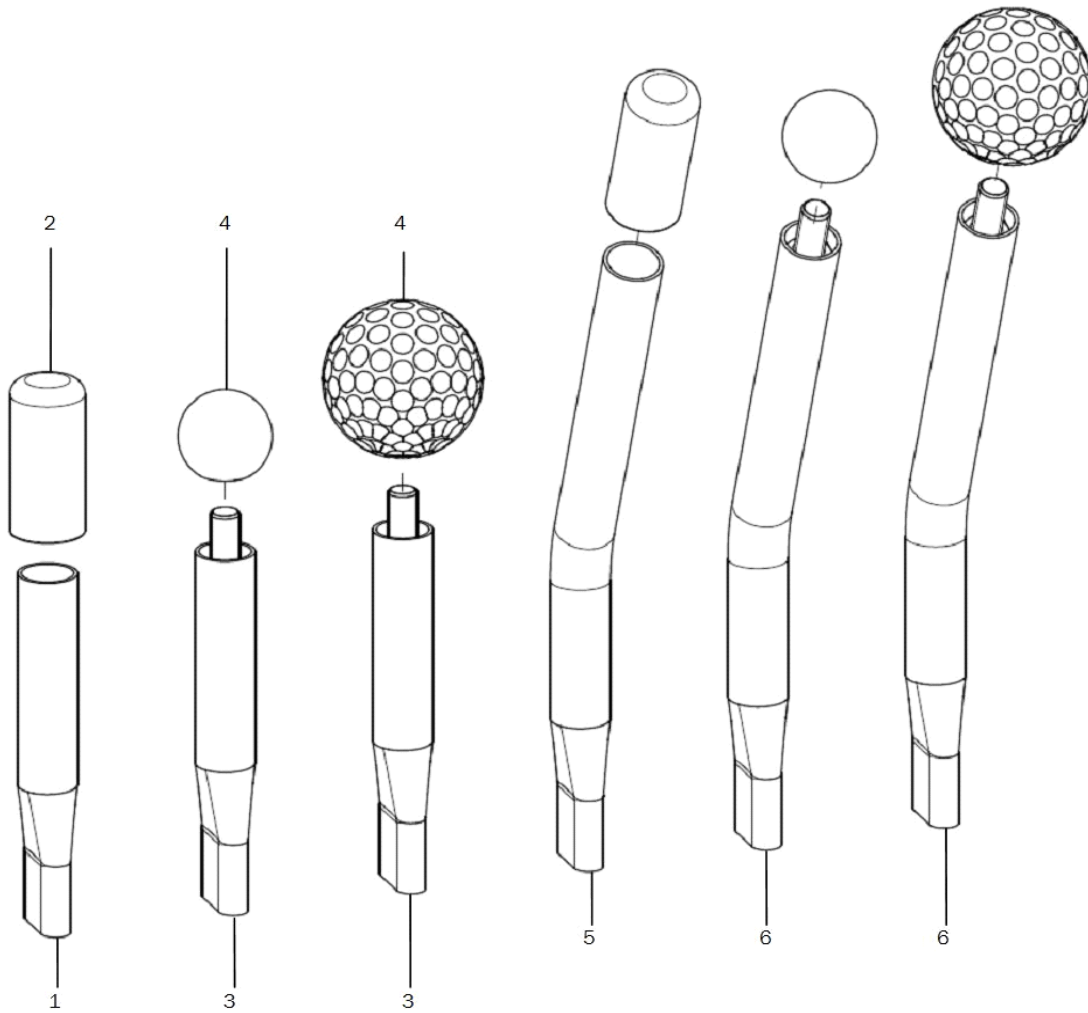
pcs.	Q/1	item no.	Product name:	Variant:	drawing no.
1-13	2	353103	user operating unit complete+ cable brake complete		XXXXXXXXXXXX
1-4	1	353111	operating unit cable brake Jump/Vector pre-mounted right		35.31.19.99.02.69
o.B.	1	353112	operating unit cable brake Jump/Vector pre-mounted left		35.31.19.99.01.74
2-4	1	35310109	ball knob $\varnothing 32/M8$, form C, incl. mounting set		04.06.13.20.80.50
3	1		lock washer S8		02.99.10.80.01.10
4	1		lens head screw with hexagon socket ISO 7380 - M8x20		01.42.09.74.65.00
5-10	2	353105	cable brake user operating unit complete		XXXXXXXXXXXX
5	1	35310301	bowden cable with loop 90 cm		35.31.03.01.00.69
6	1	352405	press spring 1,1x9,4x44x3		04.21.09.40.44.00
7	1	352406	setting screw for Bowden cable M5x34 mm		04.54.01.40.50.21
8	2	352412	end bush metal $\varnothing 5$		04.54.91.50.10.41
9	1	35310303	outer cover for Bowden cable black, 38 cm long		04.54.91.21.53.00
10	1	352005	end cap for inner Bowden cable $\varnothing 1-1,5$ mm		04.54.91.50.10.40
11	1				35.31.03.03.00.69
12	1		lock washer S5		02.99.10.50.01.10
13	1		counter sunk screw with hexagon socket DIN 7991 M5x12		01.65.07.89.05.00
14	2		counter sunk screw with hexagon socket DIN 7991 M5x14		01.65.07.90.05.00

Brake lever for drum brake



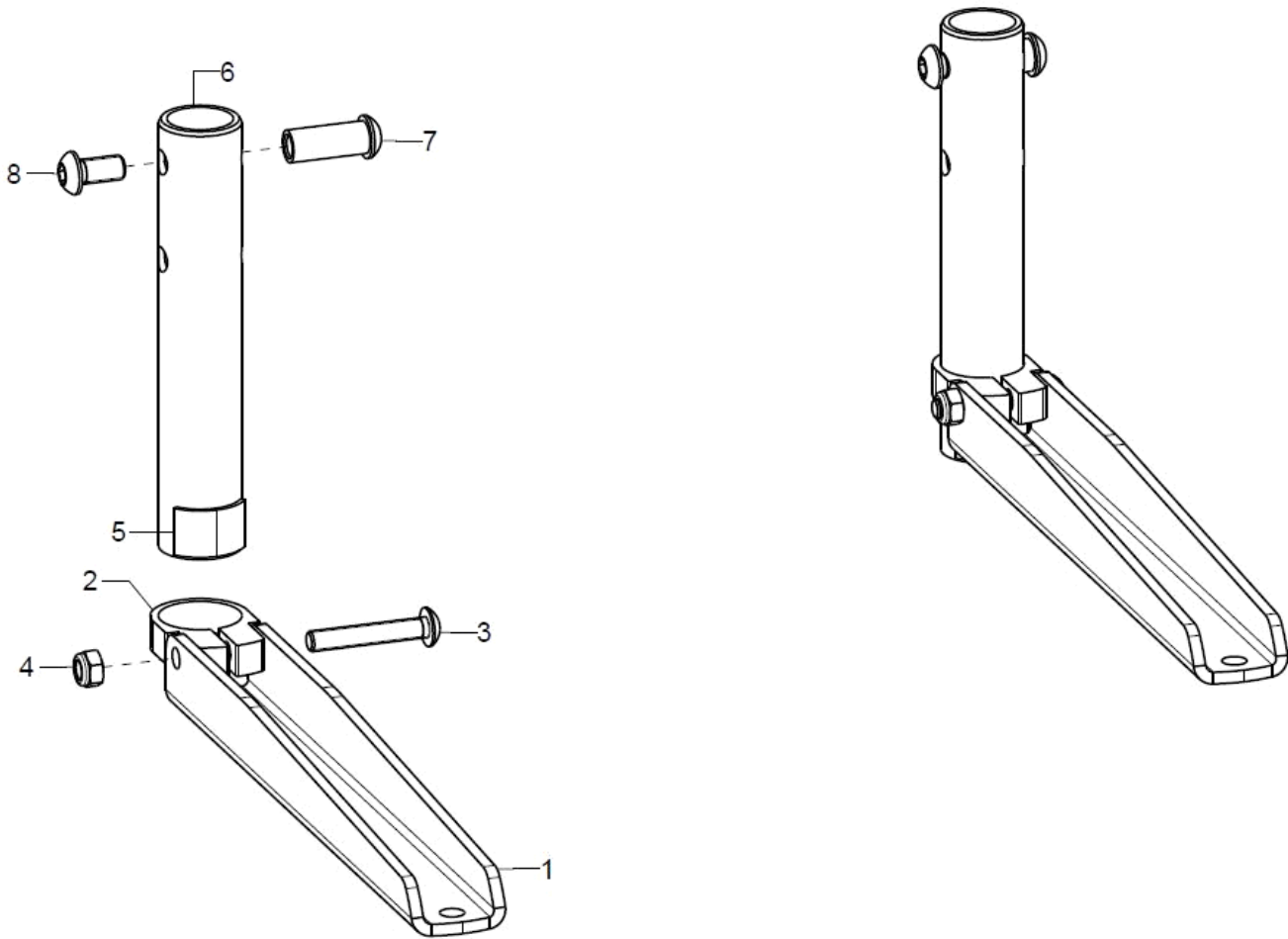
pcs.	Q/1	item no.	Product name:	Variant:	drawing no.
1-9	2	352016	hand brake lever complete		XXXXXXXXXXXX
1+2	1	352010	hand brake lever for attendant brake incl. mounting set		04.54.92.22.20.10
2	1	352011			35.20.11.01.00.28
3-9	2	352006			35.20.06.99.00.10
3	2				04.54.91.50.11.21
4	1		outer shell for Bowden cable black 150mm		04.54.91.21.53.00
5	1		end bush metal $\varnothing 5$		04.54.91.50.10.41
6	1		set screw for Bowden cable M6x40 mm		04.54.01.40.60.20
7	1		clamp screw for bowden cable		04.54.11.30.00.20
8	1		inner Bowden cable 1,5x2250		04.54.91.11.52.20
9	1		end cap for inner Bowden cable $\varnothing 1-1,5$ mm		04.54.91.50.10.40
10	1	19050000			04.54.91.80.40.11

Brake lever extension



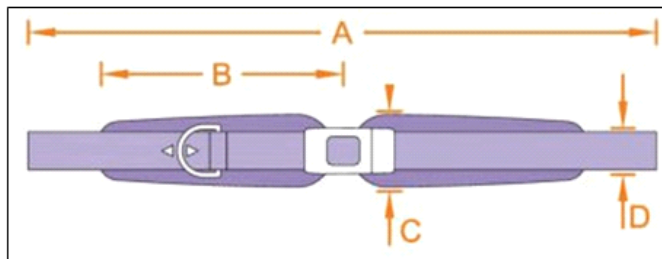
pcs.	Q/1	item no.	Product name:	Variant:	drawing no.
1-2	2	3510	brake lever extension with cap		35.01.03.02.00.10
2	2	351011	PVC cap one-hand brake		04.63.00.16.40.40
3-4	2	3512	brake lever extension 100 for ball knob		35.14.03.01.00.30
4	2	351016	ball knob		04.06.12.50.80.40
altern.	2	351211	golf ball		04.06.14.20.80.00
5+2	2	3515	brake lever extension 23° with cap		35.15.03.01.00.10
6+4	2	3516	brake lever extension 23° for ball knob		35.16.03.01.00.10

Caddy



pcs.	Q/1	item no.	Product name:	Variant:	drawing no.
1-8	2	910112	baggage holder for leg support addition, inner mounting complete		XXXXXXXXXXXX
1-5	2	910110	baggage holder for leg support addition, outer mounting complete		XXXXXXXXXXXX
1	1	910101	attachment for baggage holder		91.01.01.01.00.74
2	1	910102	clamp \varnothing 29mm		91.01.01.02.00.74
3	1		lens head screw with hexagon socket ISO 7380 - M5x30		01.42.07.98.65.00
4	1		hexagon nut self-locking low form DIN 985 - M5		02.32.00.50.01.20
5	1		Velcro strap 20 mm, black		00.42.60.02.50.10
6-8	1	910103	rod adapter incl mounting set		91.01.01.03.00.74
7	1				40.39.01.05.50.69
8	2		lens head screw with hexagon socket ISO 7380 - M6x10		01.42.08.48.65.00

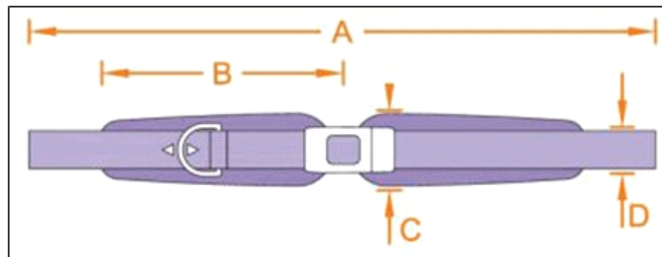
2-point Hip belt with Velcro and synthetic lock



Größe	A	B	C	D
1	148	14	5	2,5
2	156	17	6	2,5
3	166	22	7	2,5

pcs.	Q/1	item no.	Product name:	Variant:	drawing no.
1	1	78050201			04.56.91.05.01.00
o.B.	1	78050202			04.56.91.05.02.00
o.B.	1	78050203			04.56.91.05.03.00
o.B.	1	780106			78.01.06.01.00.00
o.B.	1	780107			78.01.06.02.01.00

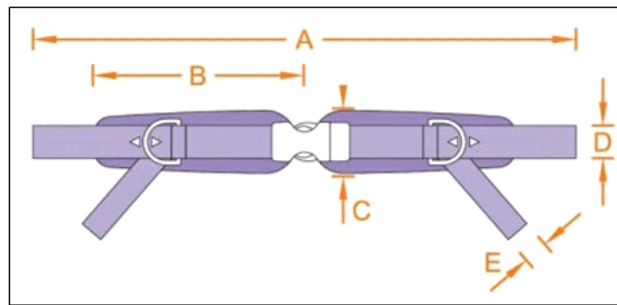
2-point Hip belt with metal lock



Größe	A	B	C	D
1	148	14	5	2,5
2	156	17	6	2,5
3	166	22	7	2,5

pcs.	Q/1	item no.	Product name:	Variant:	drawing no.
1	1	78050204			04.56.91.06.01.00
o.B.	1	78050205			04.56.91.06.02.00
o.B.	1	78050206			04.56.91.06.03.00
o.B.	1	78050210			04.56.91.01.01.11
o.B.	1	780106			78.01.06.01.00.00
o.B.	1	780107			78.01.06.02.01.00

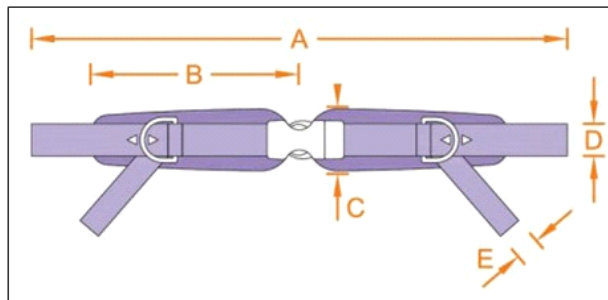
4-point Hip belt with Velcro and synthetic lock



Größe	A	B	C	D	E
1	148	14	5	2,5	2,5
2	156	17	6	2,5	2,5
3	166	22	7	2,5	2,5

pcs.	Q/1	item no.	Product name:	Variant:	drawing no.
1	1	78050401			04.56.91.07.01.00
o.B.	1	78050402			04.56.91.07.02.00
o.B.	1	78050403			04.56.91.07.03.00
o.B.	1	780106			78.01.06.01.00.00
o.B.	1	780107			78.01.06.02.01.00

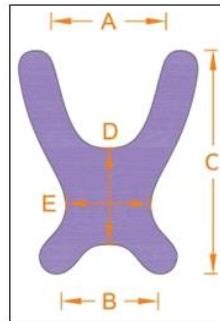
4-point Hip belt with metal lock



Größe	A	B	C	D	E
1	148	14	5	2,5	2,5
2	156	17	6	2,5	2,5
3	166	22	7	2,5	2,5

pcs.	Q/1	item no.	Product name:	Variant:	drawing no.
1	1	78050404			04.56.91.08.01.00
o.B.	1	78050405			04.56.91.08.02.00
o.B.	1	78050406			04.56.91.08.03.00
o.B.	1	78050210			04.56.91.01.01.11
o.B.	1	780106			78.01.06.01.00.00
o.B.	1	780107			78.01.06.02.01.00

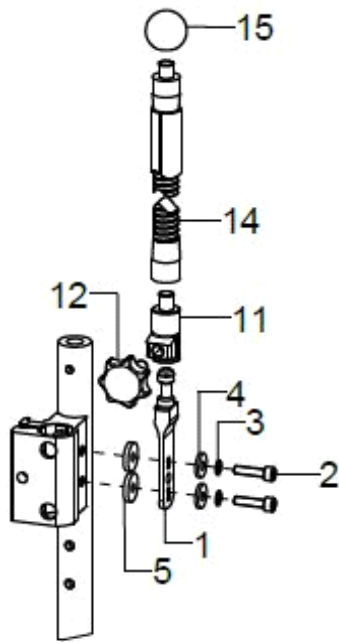
Butterfly harness



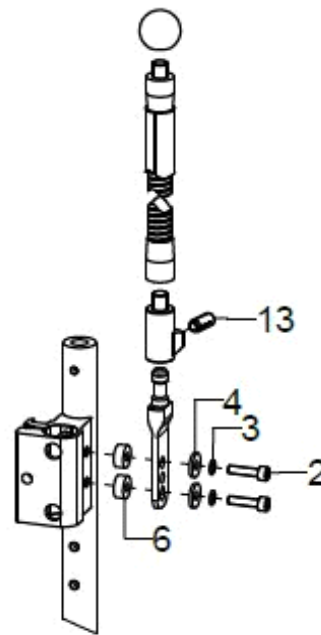
Größe	A	B	C	D	E
1	9	21	27	10	12
2	12	24	36	14	14
3	17	30	42	15	18
4	20	32	48	17	21

pcs.	Q/1	item no.	Product name:	Variant:	drawing no.
1	1	781001			04.56.92.05.01.00
o.B.	1	781002			04.56.92.05.02.00
o.B.	1	781003			04.56.92.05.03.00
o.B.	1	781004			04.56.92.05.04.00
o.B.	1	780106			78.01.06.01.00.00
o.B.	1	780107			78.01.06.02.01.00

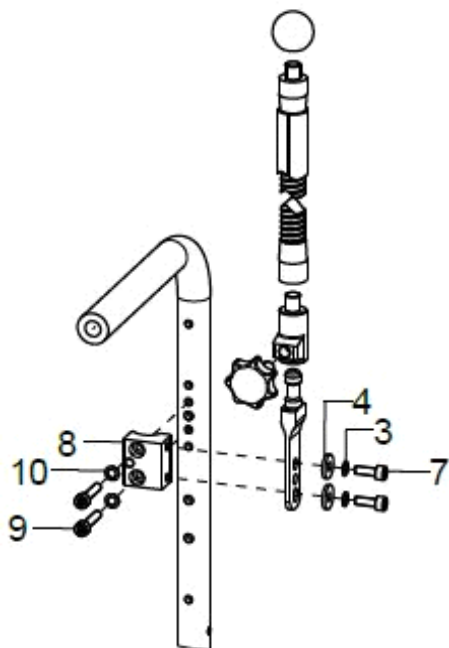
Sun shade



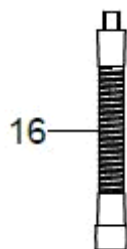
Sonnenschutzdach am Schiebegriffhalter



Sonnenschutzdach mit Pelotte am Schiebegriffhalter



Sonnenschutzdach bei Rückenrohren mit Griff



pcs.	Q/1	item no.	Product name:	Variant:	drawing no.
1-	1				
5+11+					
12+14					
+15					
1-	1				
4+6+1					
1+133-					
15					
1+3+4+ 1					
7-					
12+14					
+15					
1	2				91.03.02.04.00.00
2	4		cylinder screw DIN 912 M5x20		01.22.07.94.72.40
3	4		lock washer S5		02.99.10.50.01.10
4	4		washer DIN 7349 - 5,3		02.77.05.22.00.20
5	4				22.00.12.02.00.10
6	4		bushing \varnothing 14/5,2x6		40.55.00.01.00.76
7	4		cylinder screw DIN 912 M5x14		01.22.07.90.72.40
8	2				91.03.02.06.00.00
9	4		cylinder screw DIN 912 M5x25		01.22.07.96.62.40
10	4		lock washer S5		02.99.10.50.01.10
11	2				91.03.02.03.00.00
12	2		7-star knob \varnothing 32 - M8x15 external thread, black		04.05.47.14.15.40
13	2		elastic pressure piece M8		04.14.50.80.21.21
14	2				91.03.02.02.00.00
15	2				04.06.12.50.80.50
16	2				91.03.02.09.00.00
17	1				91.03.03.99.00.00
o.B.	1				91.03.04.99.00.00